

RESIDENTIAL PROJECTS SELECTION



ALDIT





We love glass

We love a lot of glass

We love glass a lot

B O H E M I A N G L A S S M A S T E R S

# CONTENT

<i>Projects</i> .....	9
<i>Realisations</i> .....	109
<i>Visualisations</i> .....	118

## About the company

*The Aldit company was established by Václav Heřman and his son David in 1997, when they started to make components for household lighting. Together, they developed several manufacturing technologies and designs in the sphere of patent protected glass. Thanks to a unique feel for quality and cooperation with leading designers, the company smoothly moved to producing bespoke projection lights. David and his wife Alena now lead a large team that shares a deep resolve to constantly develop solutions focused on detail.*











PROJECT

# CADOGAN PLACE



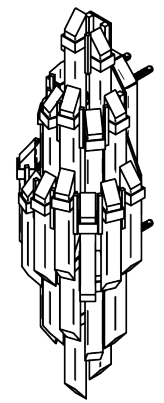
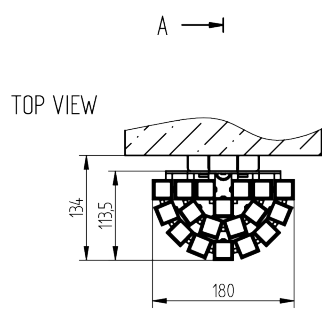
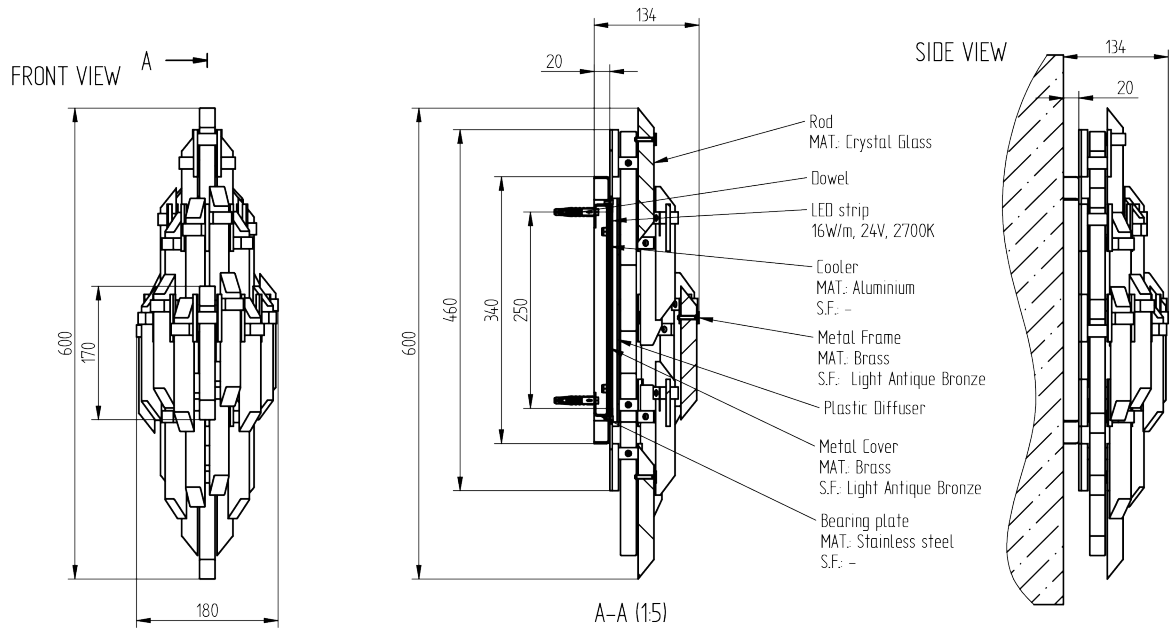
**Dimensions:** 600 x 180 x 134 mm  
**Weight:** 8 Kg  
**Light sources:** 1x 250 mm of LED Strip  
/16W/m/2700K  
**Trimmings:** —  
**Glass parts:** Crystal Glass Rods  
**Metal finish:** Light Antique Brass

GROUND FLOOR DINING ROOM WL





GROUND FLOOR DINING ROOM WL



**GROUND FLOOR DINING ROOM WL**

DIMENSIONS





**Dimensions:** dia. 1000 x 640  
OAH 1070 mm

**Weight:** 120 Kg

**Light sources:** 2 x 2950 mm of LED Strip  
2 x 2200 mm of LED Strip  
/14W/m/2700K

**Trimmings:** —

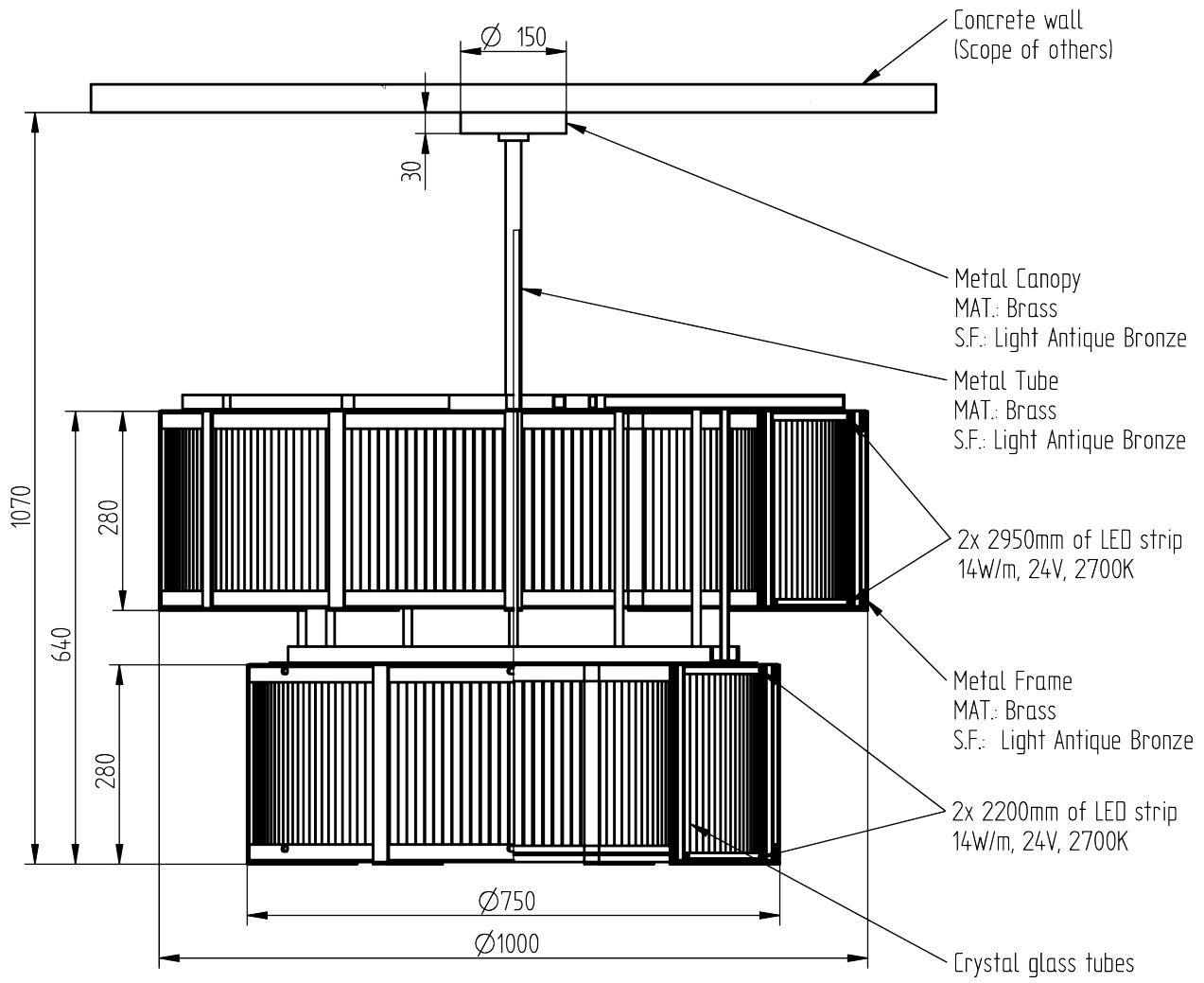
**Glass parts:** Crystal Glass Tubes

**Metal finish:** Light Antique Bronze

GROUND FLOOR STAIR HALL



GROUND FLOOR STAIR HALL



**GROUND FLOOR STAIR HALL**

DIMENSIONS



**Dimensions:** 130 x 71 x 350 mm  
**Weight:** 4 Kg  
**Light sources:** 2 x G9 LED/2,3W/2700K  
**Trimmings:** —  
**Glass parts:** Hand Blown  
Textured Glass  
**Metal finish:** Brushed Brass

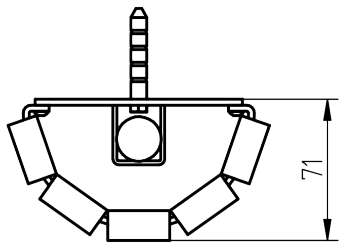
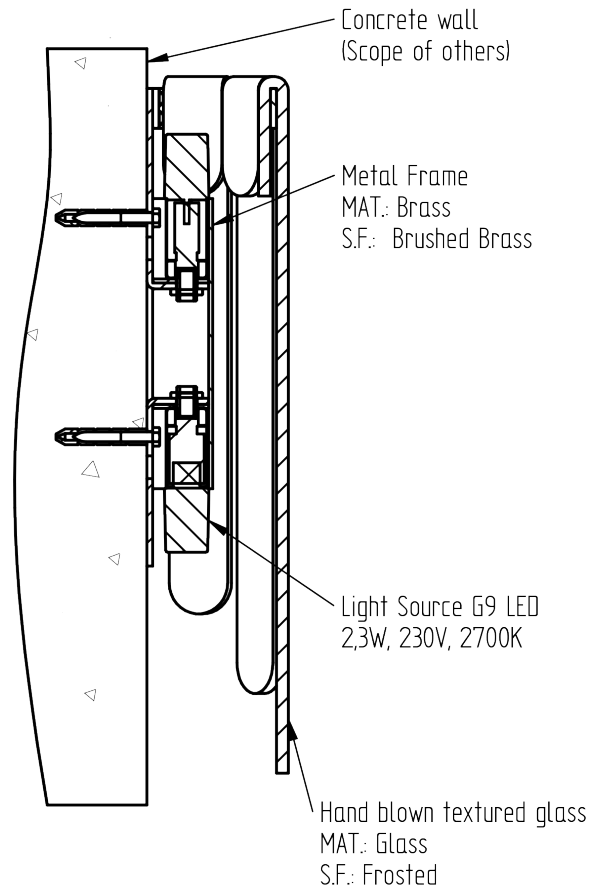
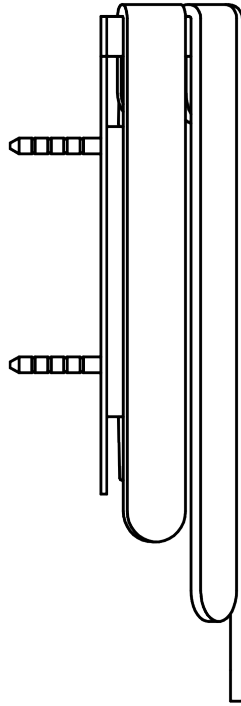
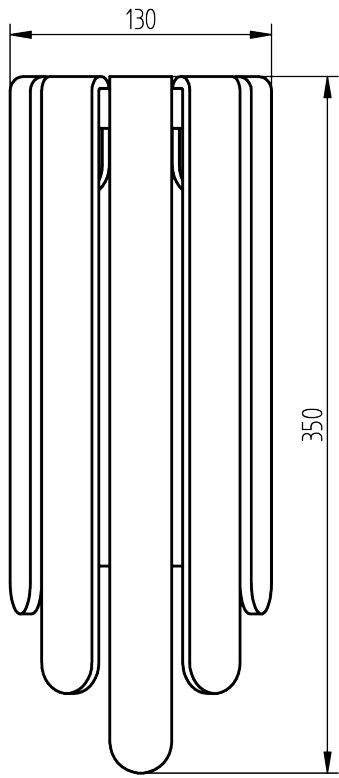
2nd FLOOR HER MASTER BEDROOM





2nd FLOOR HER MASTER BEDROOM





2nd FLOOR HER MASTER BEDROOM

DIMENSIONS









PROJECT

# LANCASTER GATE

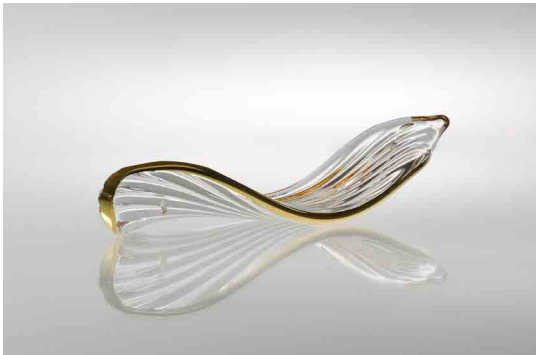
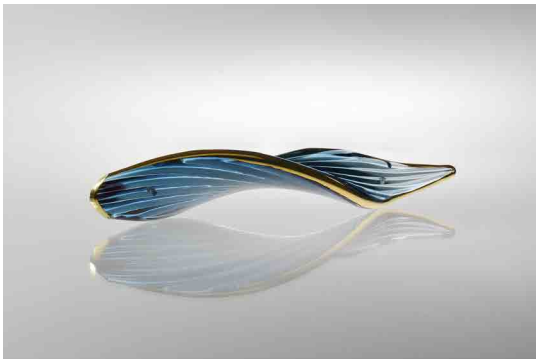
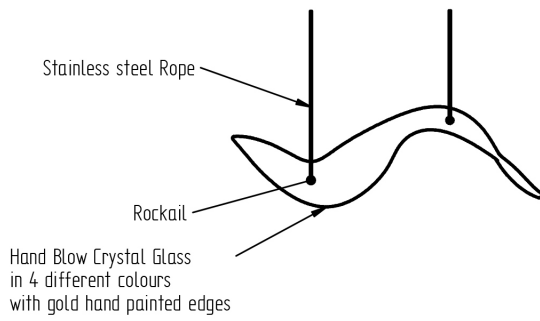
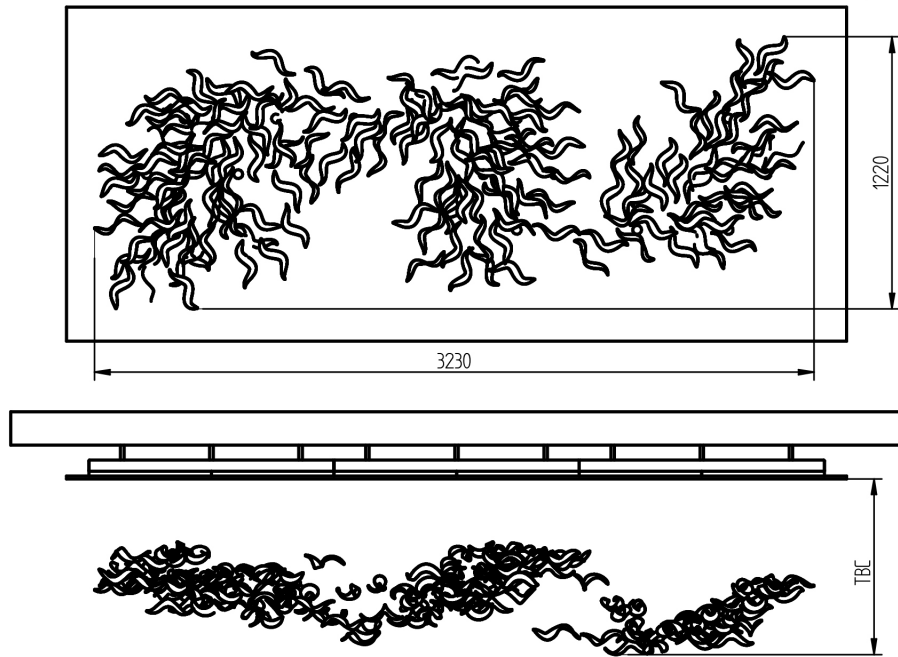




**Dimensions:** 3300 x 1300 x L mm  
**Weight:** 300 Kg  
**Light sources:** LUCCA 40/1,5W/2700K  
**Trimmings:** —  
**Glass parts:** Hand Blow Crystal Glass  
**Metal finish:** —

**DINING ROOM**





**DINING ROOM**

DIMENSIONS

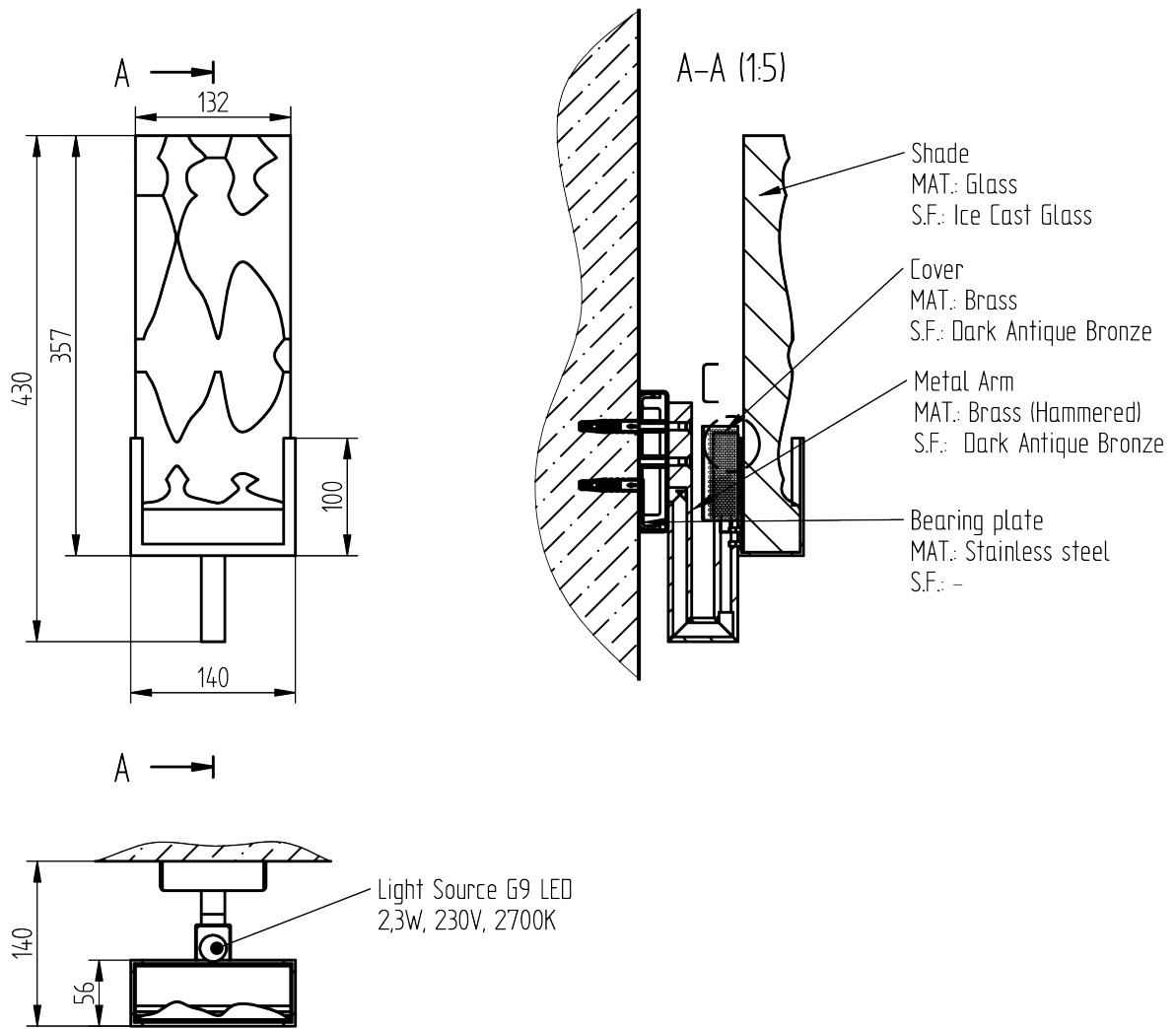


**Dimensions:** 430 x 140 x 140 mm  
**Weight:** 6,5 Kg  
**Light sources:** LED G9/2,3W/2700K  
**Trimming:** —  
**Glass parts:** Ice Cast Glass  
**Metal finish:** Dark Antique Bronze

RECEPTION ROOM



RECEPTION ROOM



**RECEPTION ROOM**

DIMENSIONS





**Dimensions:** 330 x 200 x 160 mm  
**Weight:** 8 Kg  
**Light sources:** LED B22/7W/2700K  
**Trimmings:** —  
**Glass parts:** —  
**Metal finish:** Gold Leaf  
Polished - Textured

TABLE LAMP 1

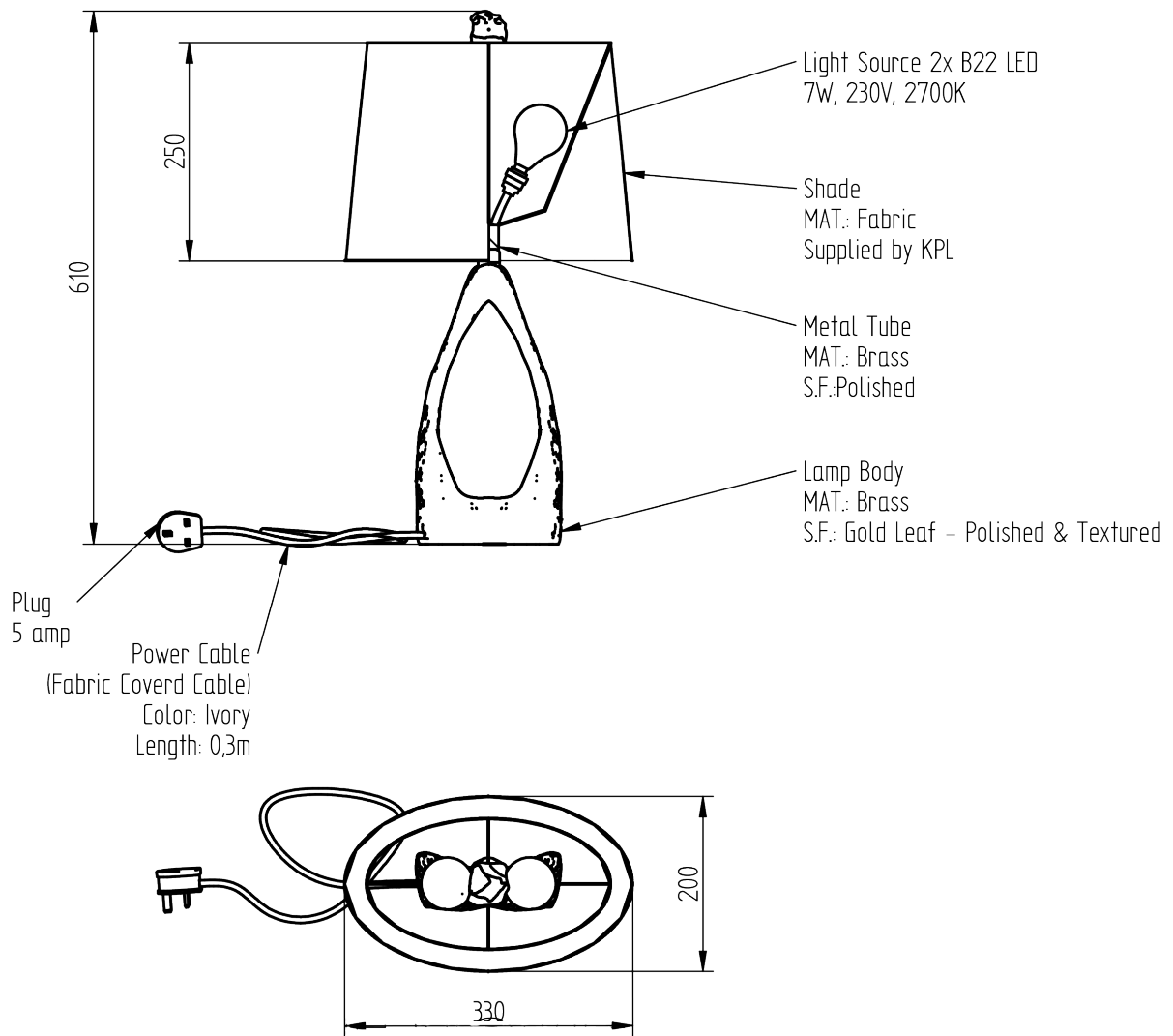


TABLE LAMP 1





TABLE LAMP 1



**TABLE LAMP 1**

DIMENSIONS

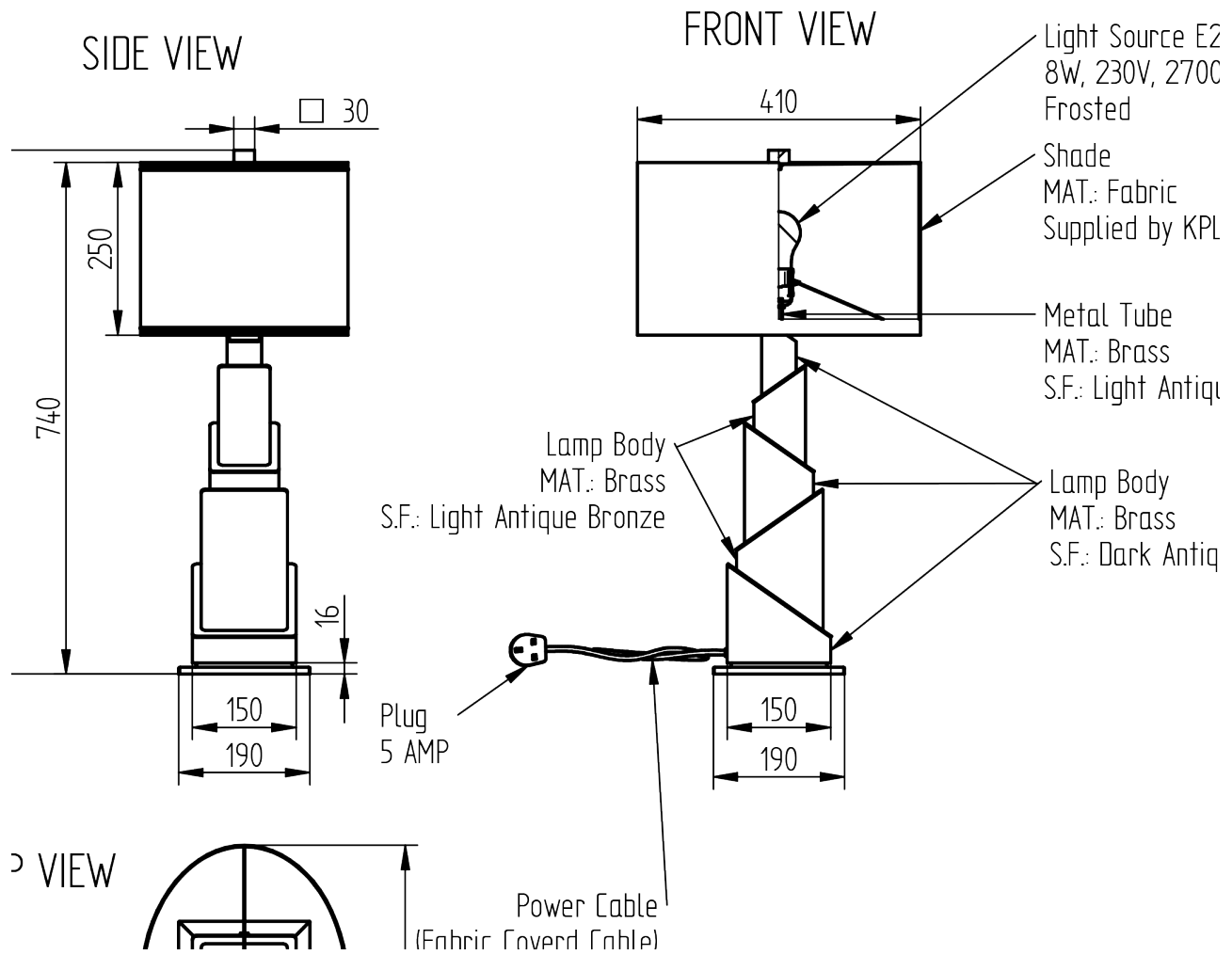


**Dimensions:** 410 x 300 x 760 mm  
**Weight:** 9 Kg  
**Light sources:** 1 x E27/8W/2700K  
**Trimmings:** —  
**Glass parts:** —  
**Metal finish:** Light Antique Bronze  
Dark Antique Bronze

MASTER SUITE



MASTER SUITE



**MASTER SUITE**

DIMENSIONS





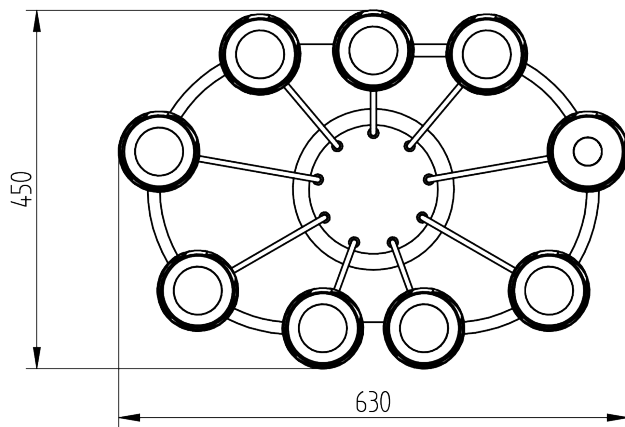
**Dimensions:** 630 x 450 x 665 mm  
**Weight:** 30 Kg  
**Light sources:** 9 x E14/3W/2200K  
**Trimmings:** —  
**Glass parts:** Hand Blown Crystal Glass  
**Metal finish:** Light Antique Brass  
Dark Antique Bronze

FAMILY ROOM

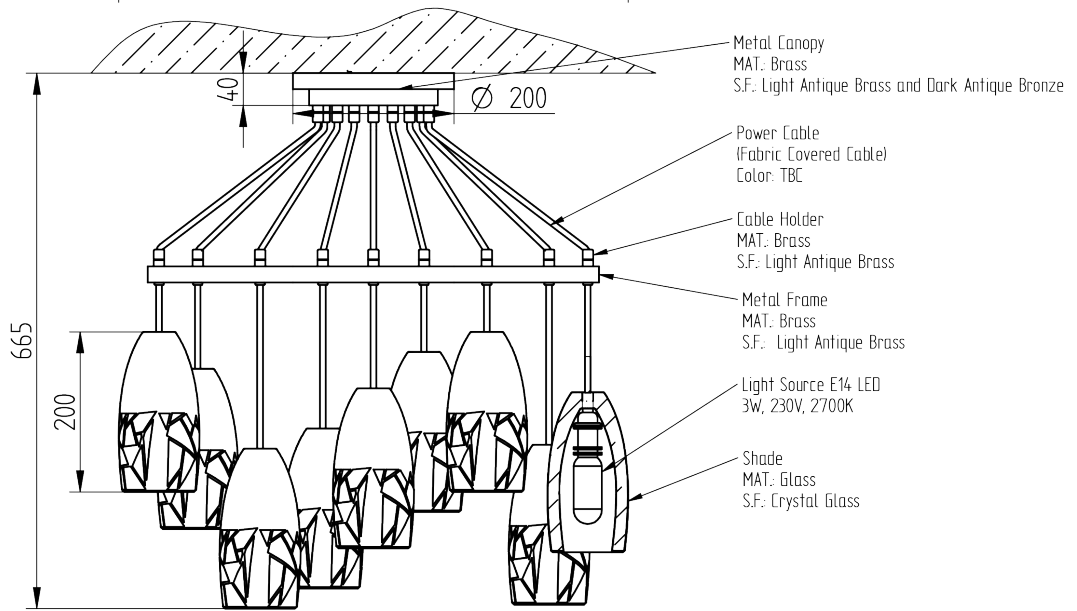


FAMILY ROOM

BOTTOM VIEW



FRONT VIEW



FAMILY ROOM

DIMENSIONS













PROJECT

# NOTTING HILL

*phase I*



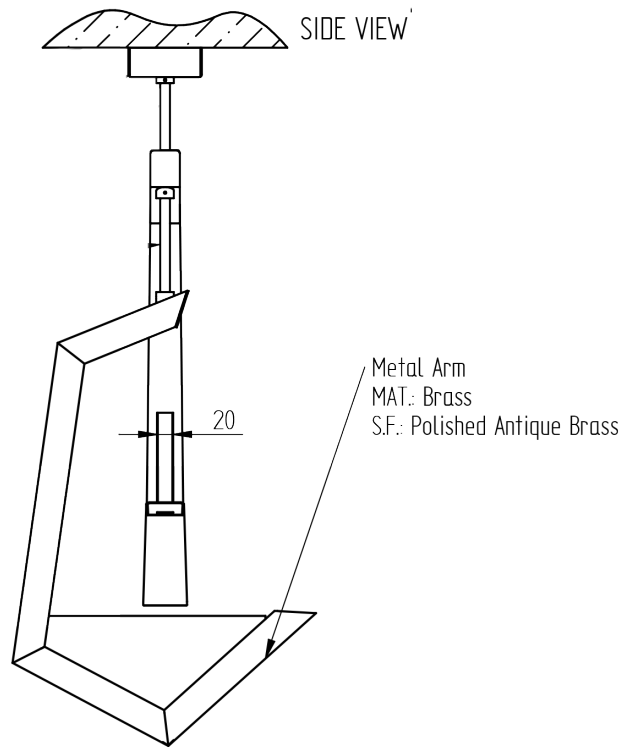
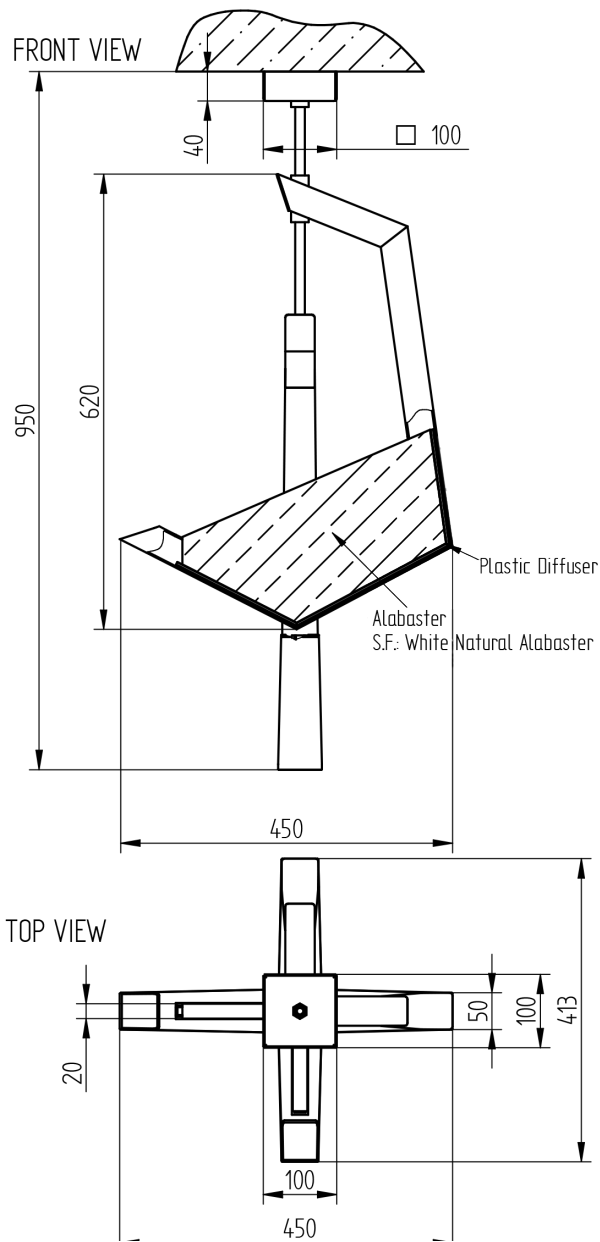
**Dimensions:** 450 x 413 x 950 mm  
**Weight:** 15 Kg  
**Light sources:** 2 x 582.5 mm LED  
Strip/24W/m/2700K  
**Trimmings:** —  
**Glass parts:** White Natural Alabaster  
**Metal finish:** Polished Antique Brass

1. ENTRANCE HALL

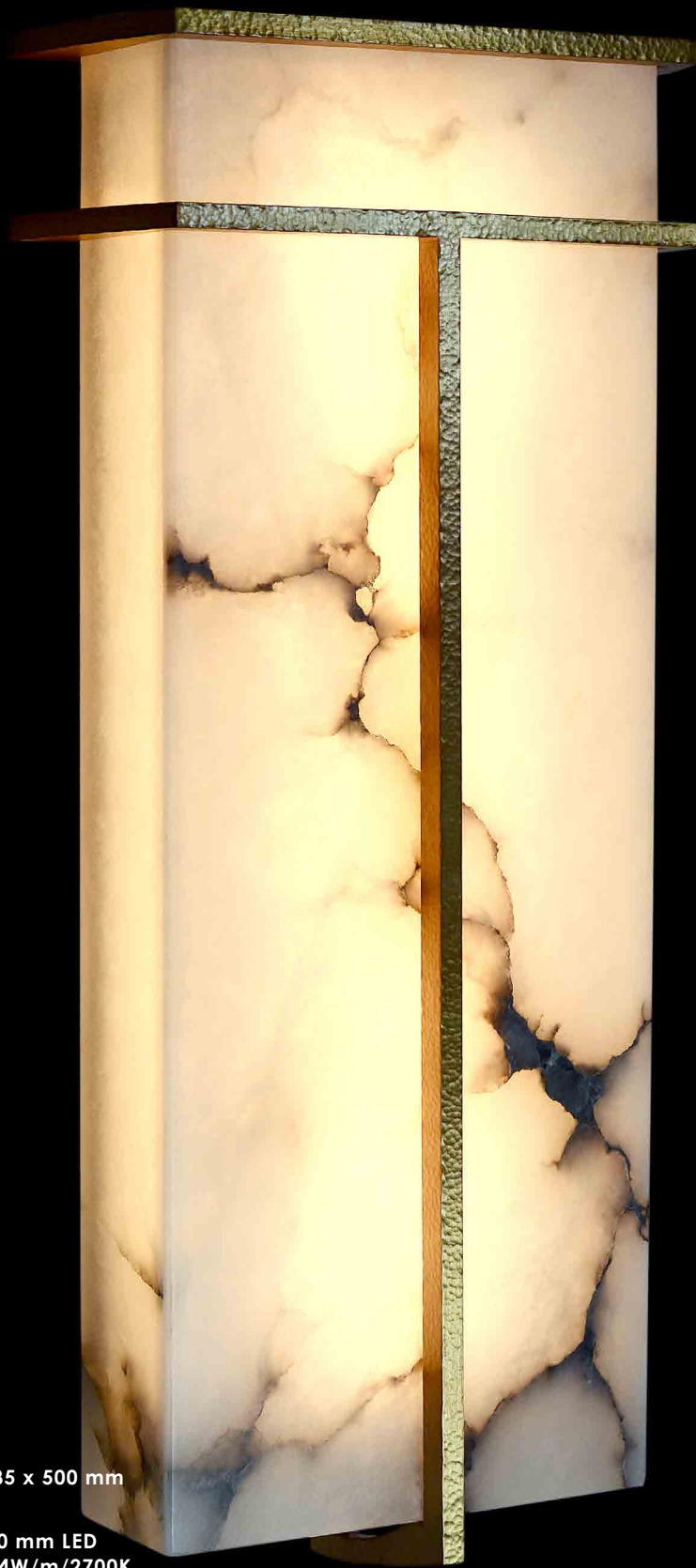


1. ENTRANCE HALL



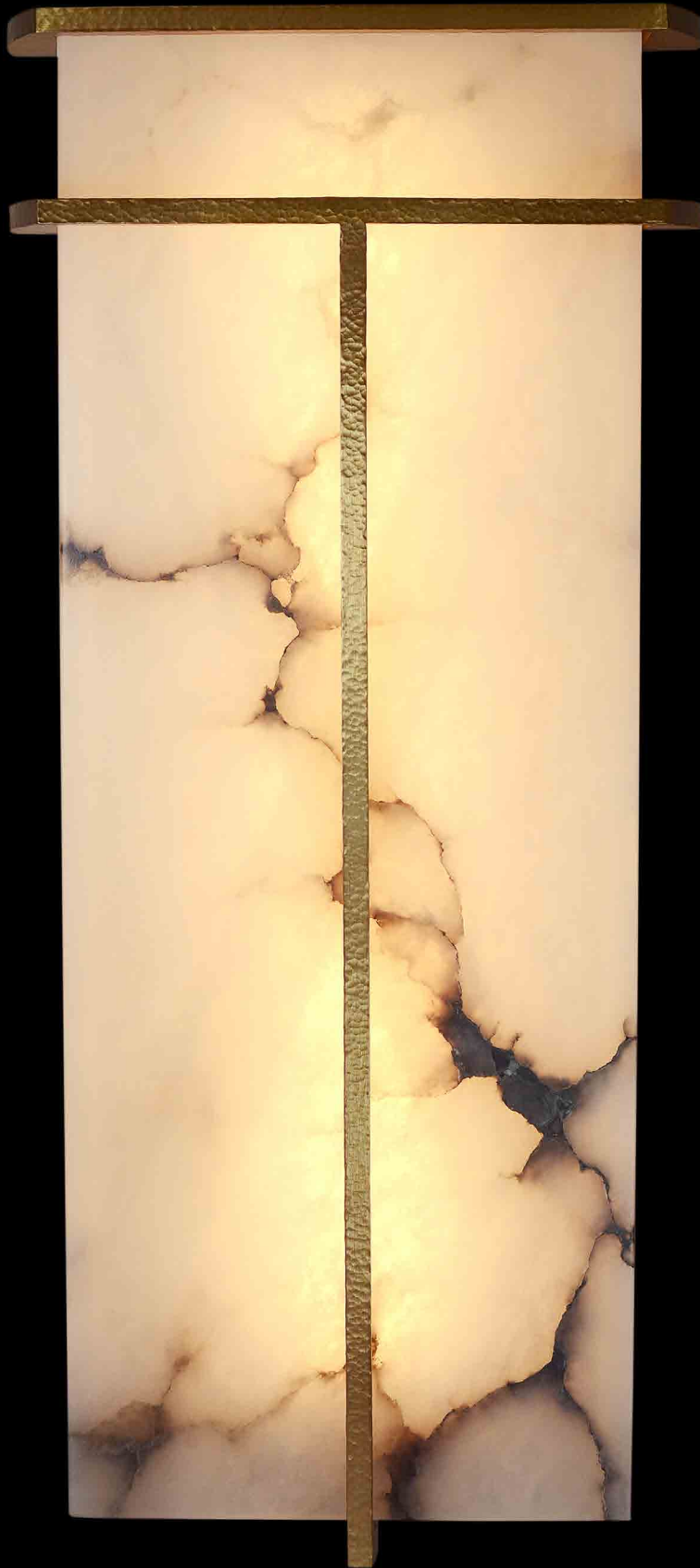


1. ENTRANCE HALL



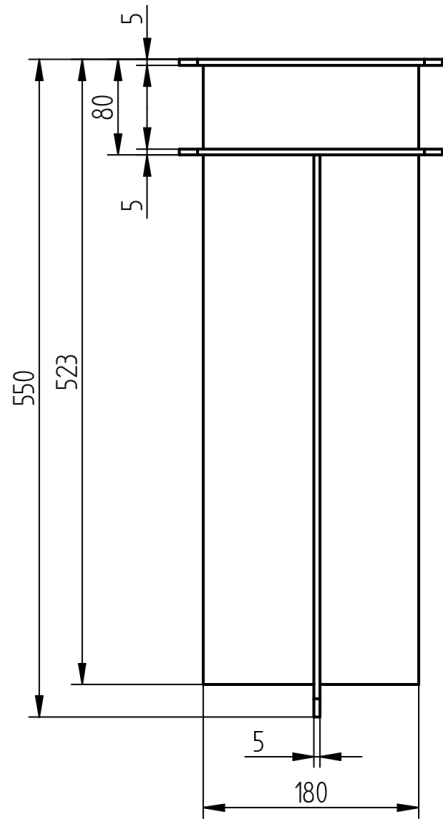
**Dimensions:** 220 x 85 x 500 mm  
**Weight:** 14 Kg  
**Light sources:** 2 x 400 mm LED  
Strip/14W/m/2700K  
**Trimmings:** —  
**Glass parts:** White Natural Alabaster  
**Metal finish:** Hammered Polished Antique Brass

2. ENTRANCE HALL WL

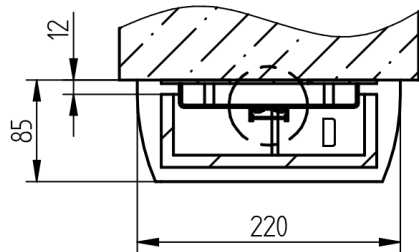
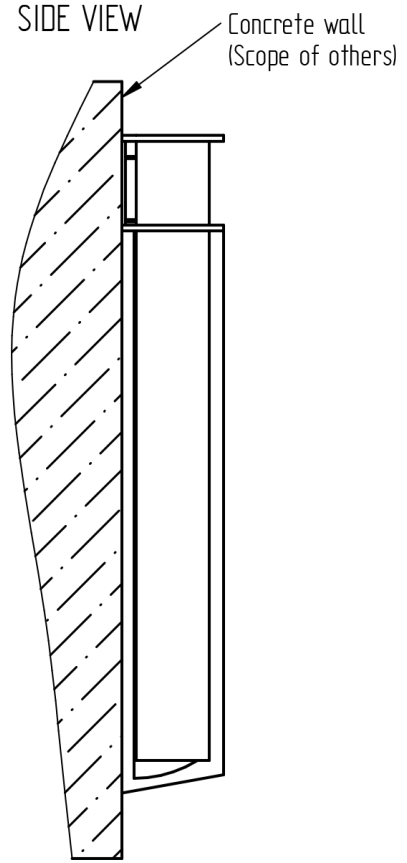


2. ENTRANCE HALL WL

FRONT VIEW



SIDE VIEW



2. ENTRANCE HALL WL

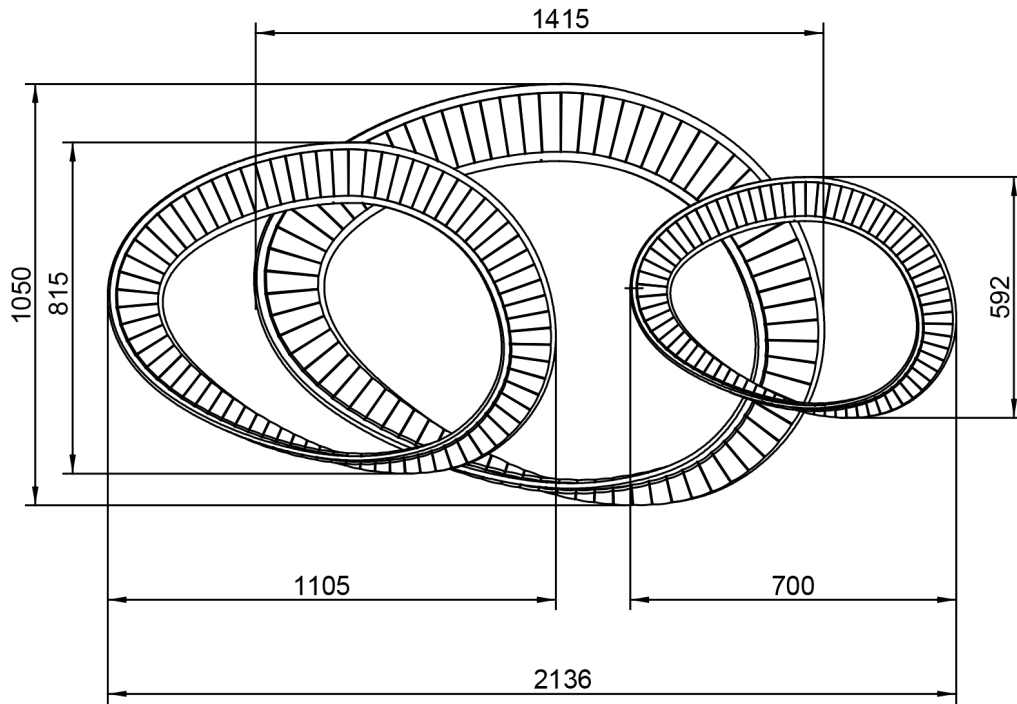




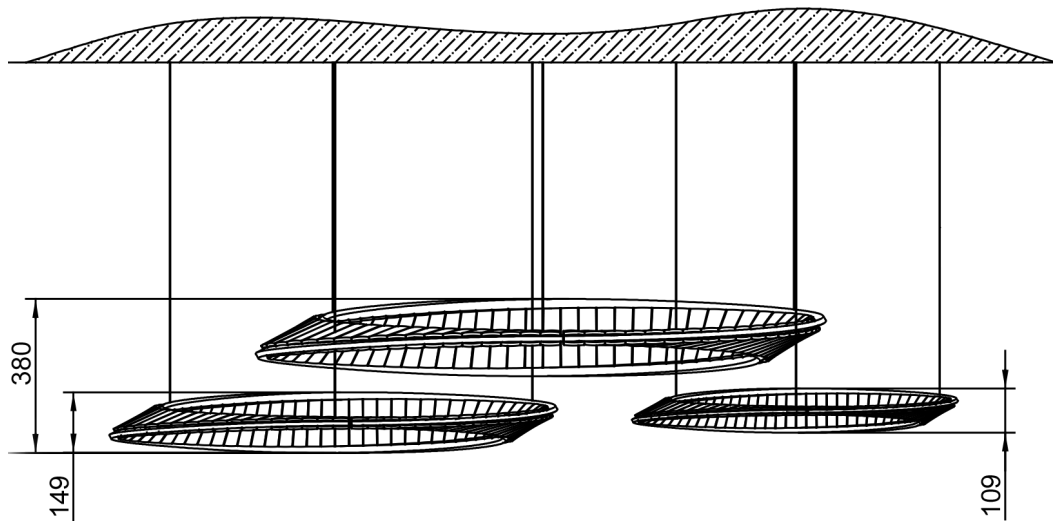
**Dimensions:** 2136 x 1050 x 380 mm  
**Weight:** 280 Kg  
**Light sources:** LED Strip/16W/m/24V/2700K  
**Trimmings:** —  
**Glass parts:** Natural Rock Crystal  
**Metal finish:** Hammered Polished Antique Brass

FORMAL RECEPTION

BOTTOM VIEW



FRONT VIEW



FORMAL RECEPTION



**Dimensions:** 200 x 110 x 620 mm  
**Weight:** 6,5 Kg  
**Light sources:** 1 x 540 mm LED  
Strip/14W/m/12V/2700K  
**Trimmings:** —  
**Glass parts:** Natural Rock Crystal  
**Metal finish:** Light Antique Brass

FORMAL RECEPTION WL

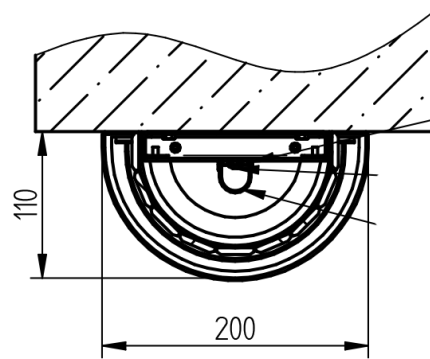
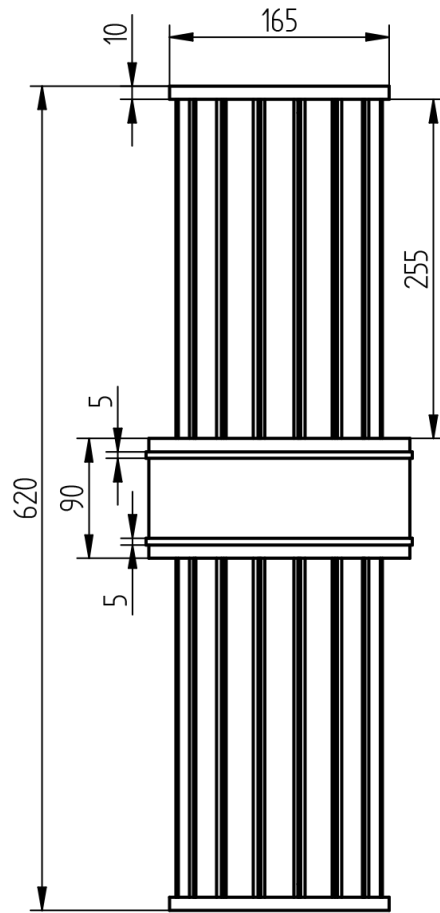




FORMAL RECEPTION WL



FRONT VIEW



FORMAL RECEPTION WL



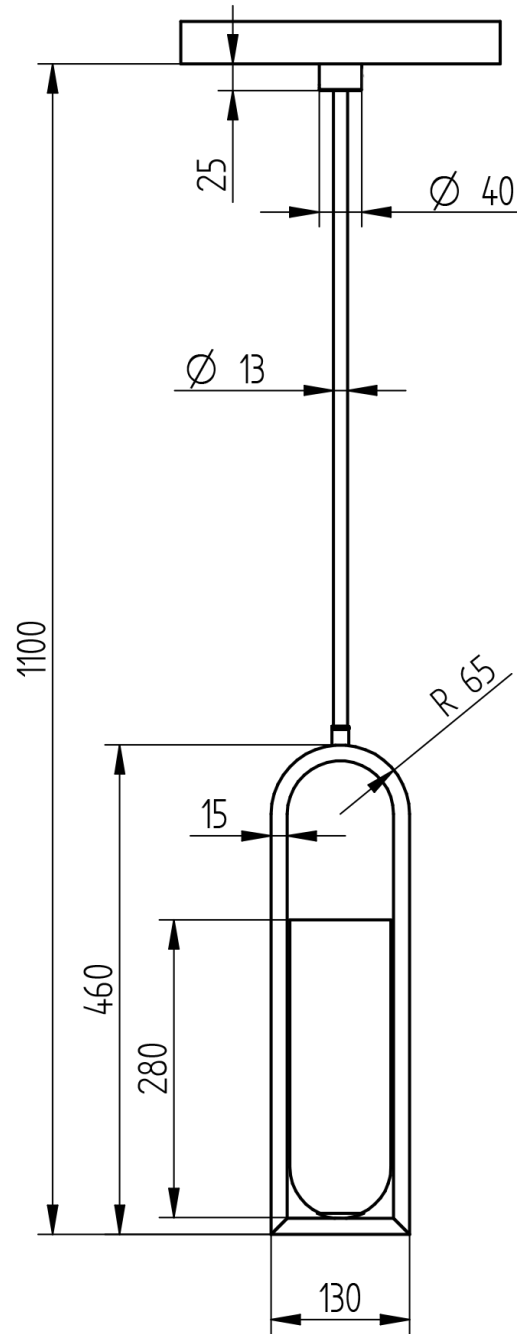
**Dimensions:** 95 x 130 x 460 mm  
**Weight:** 7 Kg  
**Light sources:** 1 x E14 LED  
6W/230V/2700K  
**Trimmings:** —  
**Glass parts:** White Natural Alabaster  
**Metal finish:** Light Antique Brass

INFORMAL LIVING



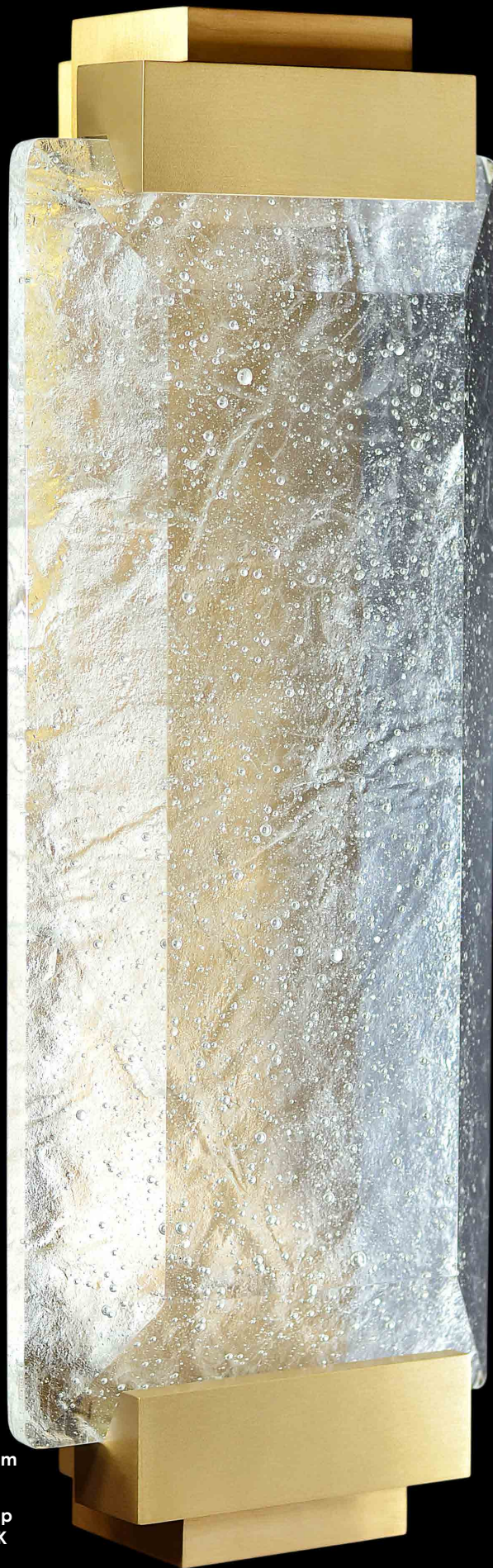
INFORMAL LIVING

FRONT VIEW



INFORMAL LIVING





**Dimensions:** 500 x 180 x 100 mm

**Weight:** 18 Kg

**Light sources:** 4 x 83mm LED Strip  
14W/m/12V/2700K

**Trimmings:** —

**Glass parts:** Cast Crystal Glass

**Metal finish:** Light Antique Brass

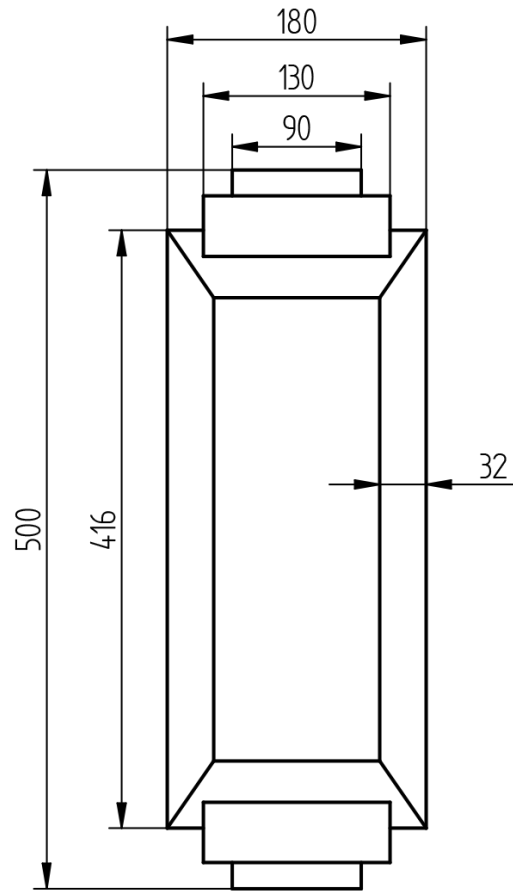
DINING ROOM WL



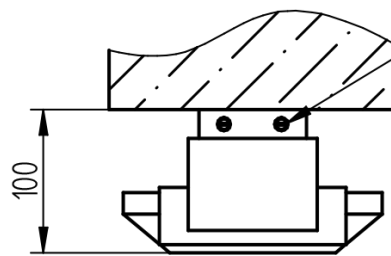


DINING ROOM WL

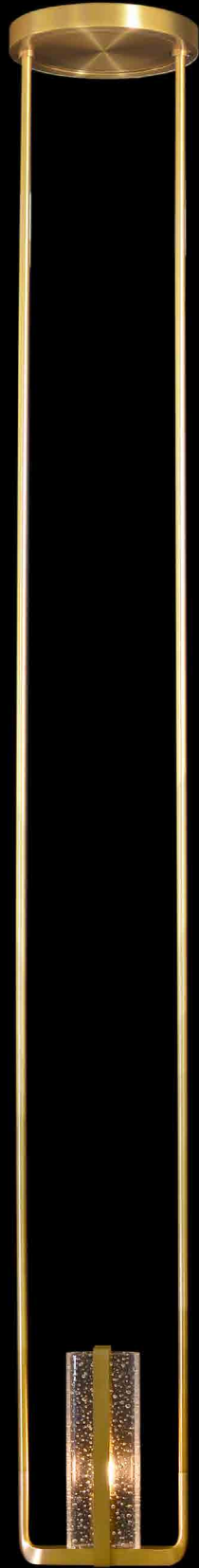
FRONT VIEW



TOP VIEW







**Dimensions:** 208 x 55 x 1910 mm

**Weight:** 7 Kg

**Light sources:** 1 x E14 LED  
6W/230V/2700K

**Trimmings:** —

**Glass parts:** Hand Blown Crystal Glass

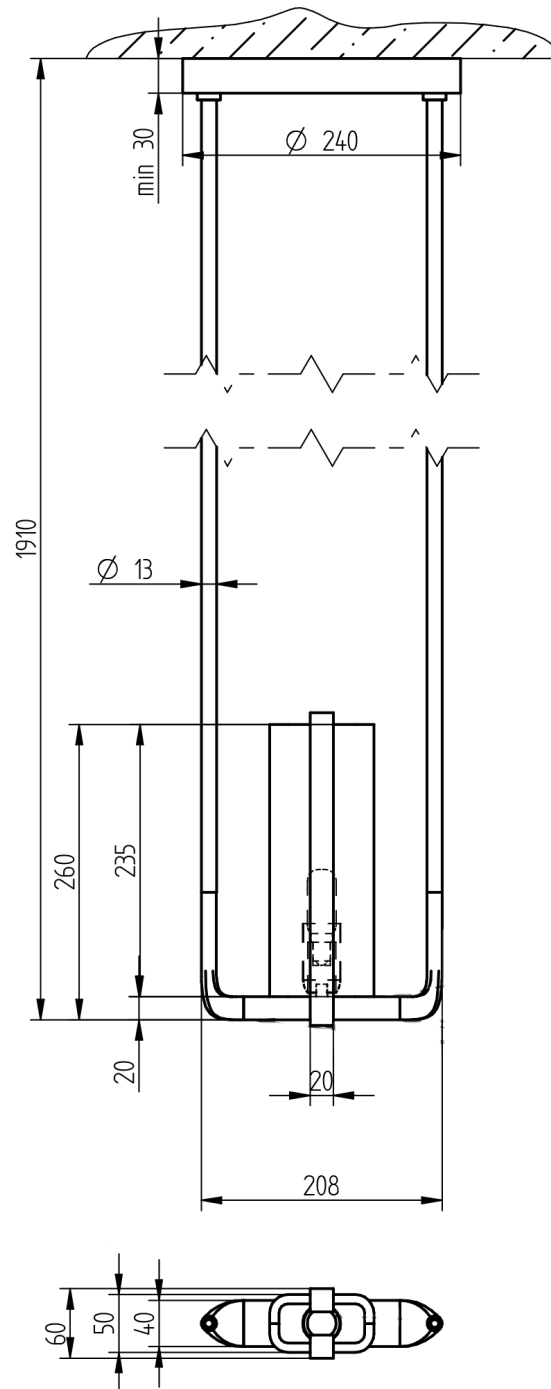
**Metal finish:** Light Antique Brass

MASTER BEDROOM



MASTER BEDROOM

FRONT VIEW



MASTER BEDROOM

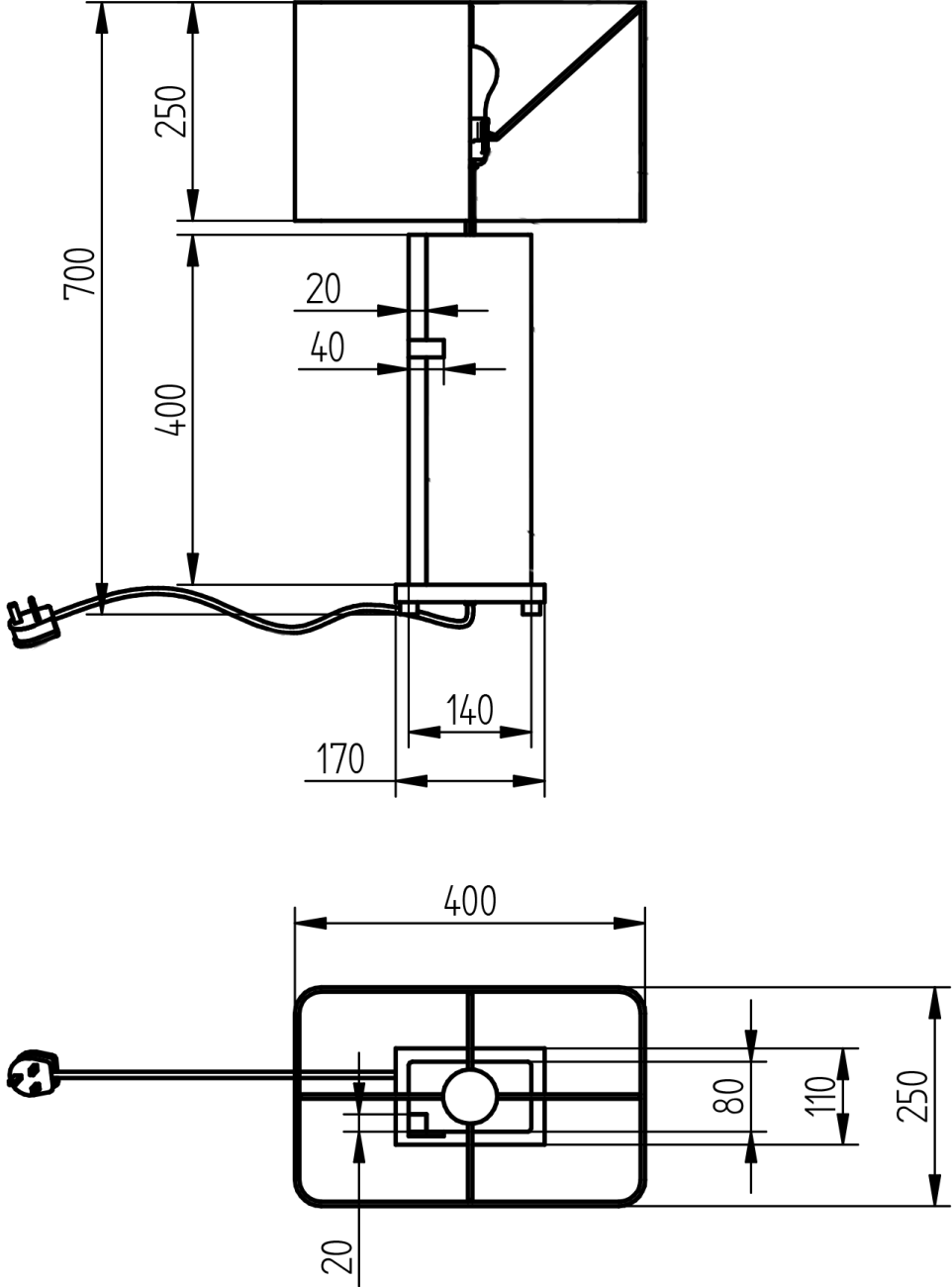


**Dimensions:** 400 x 250 x 700 mm  
**Weight:** 10 Kg  
**Light sources:** 1 x B 22 LED  
8W/230V/2700K  
**Trimmings:** —  
**Glass parts:** —  
**Metal finish:** Hammered Dark Bronze  
Polished Brass

DINING ROOM



FRONT VIEW



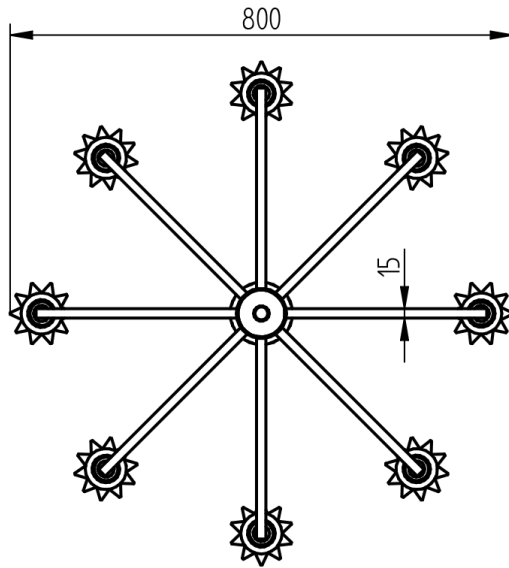
DINING ROOM



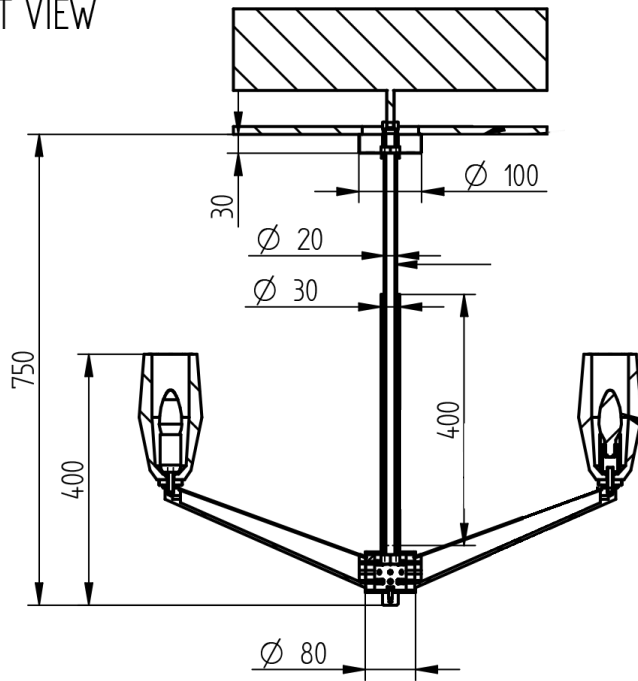
**Dimensions:** dia. 800 x 417 x 750 mm  
**Weight:** 25 Kg  
**Light sources:** 8 x E14 LED  
6W/230V/2700K  
**Trimmings:** —  
**Glass parts:** Hand Blown Faceted Crystal Glass  
**Metal finish:** Polished Nickel

DINING ROOM

BOTTOM VIEW



FRONT VIEW



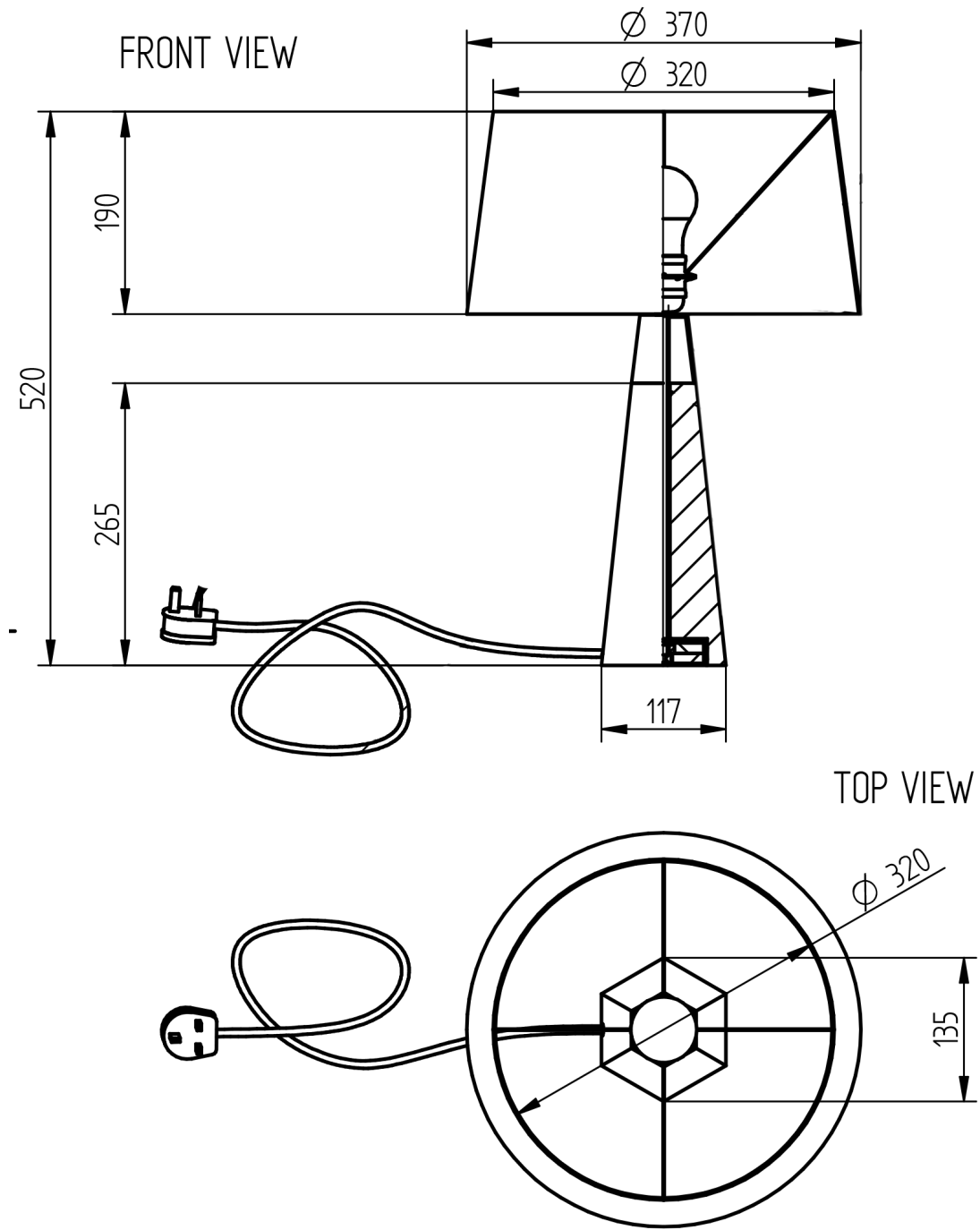
DINING ROOM



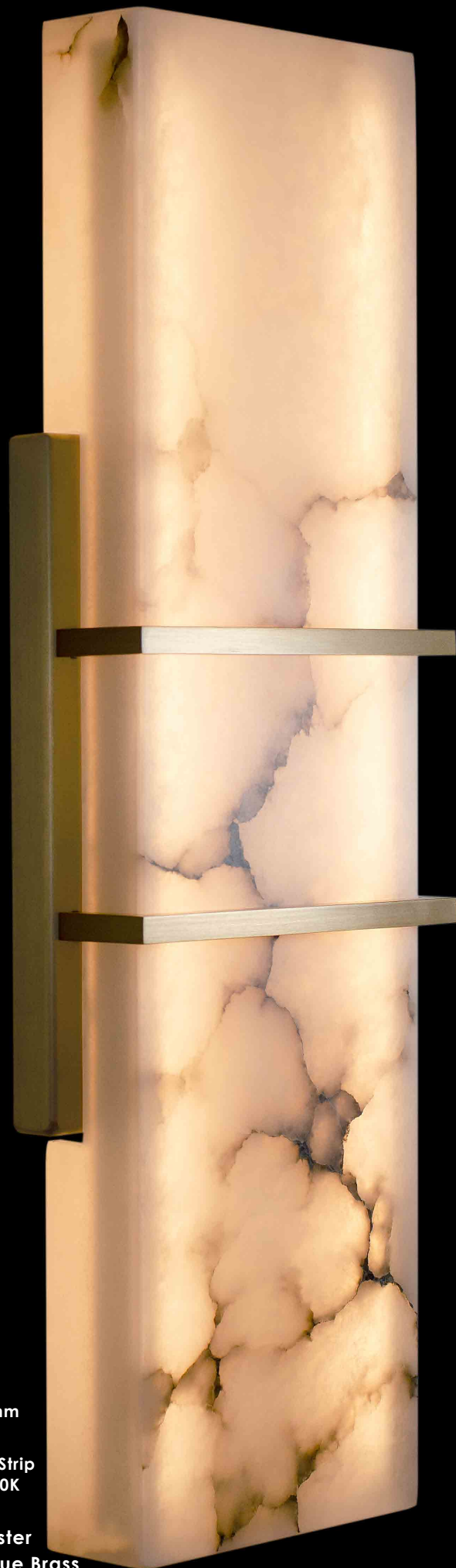
**Dimensions:** dia. 370 x 520 mm  
**Weight:** 6 Kg  
**Light sources:** 1 x B 22 LED  
8W/230V/2700K  
**Trimmings:** —  
**Glass parts:** White Natural Alabaster  
**Metal finish:** Polished Nickel

HER DRESSING ROOM



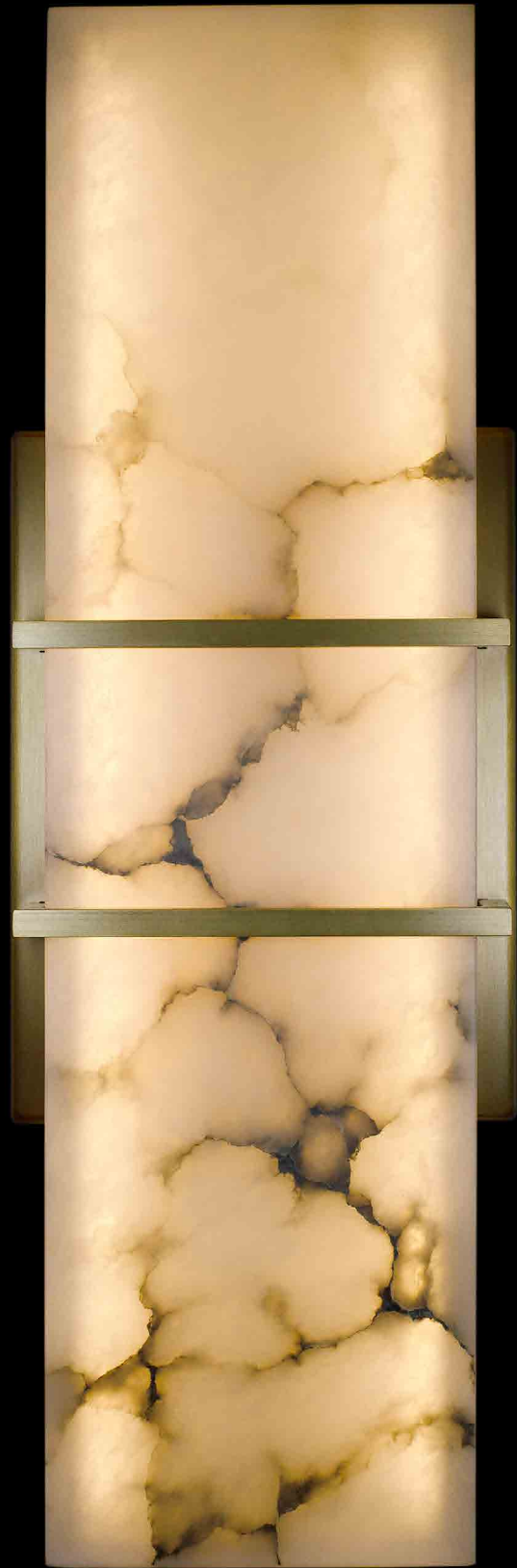


HER DRESSING ROOM



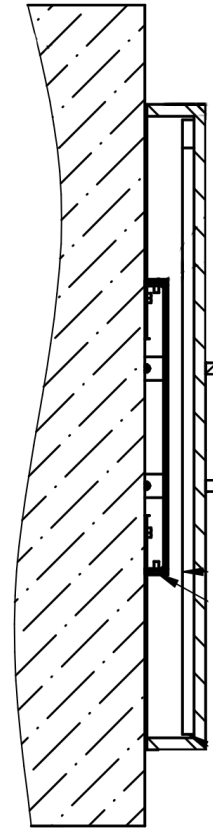
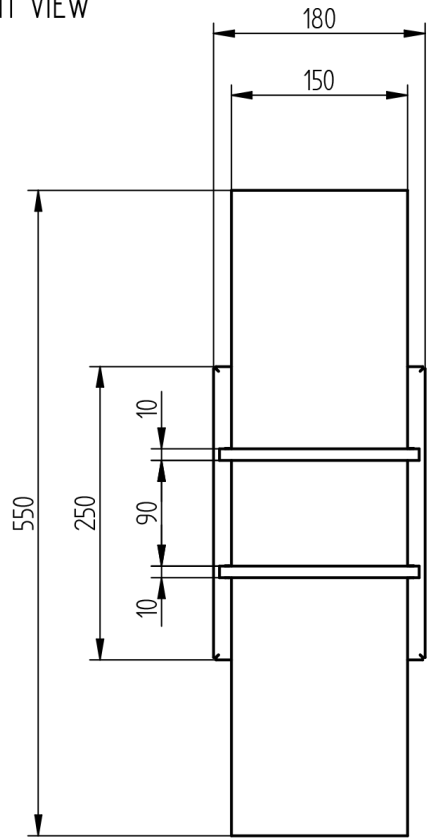
**Dimensions:** 180 x 75 x 550 mm  
**Weight:** 7 Kg  
**Light sources:** 2 x 500mm LED Strip  
14W/m/24V/2700K  
**Trimmings:** —  
**Glass parts:** Natural Alabaster  
**Metal finish:** Polished Antique Brass

GUEST BEDROOM WL

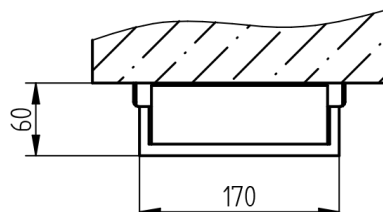


GUEST BEDROOM WL

FRONT VIEW



TOP VIEW



GUEST BEDROOM WL





**Dimensions:** 430 x 250 x 120 mm

**Weight:** 25 Kg

**Light sources:** 1 x G9 LED  
2,3W/230V/2700K

**Trimmings:** —

**Glass parts:** Faceted Crystal Glass with Soda

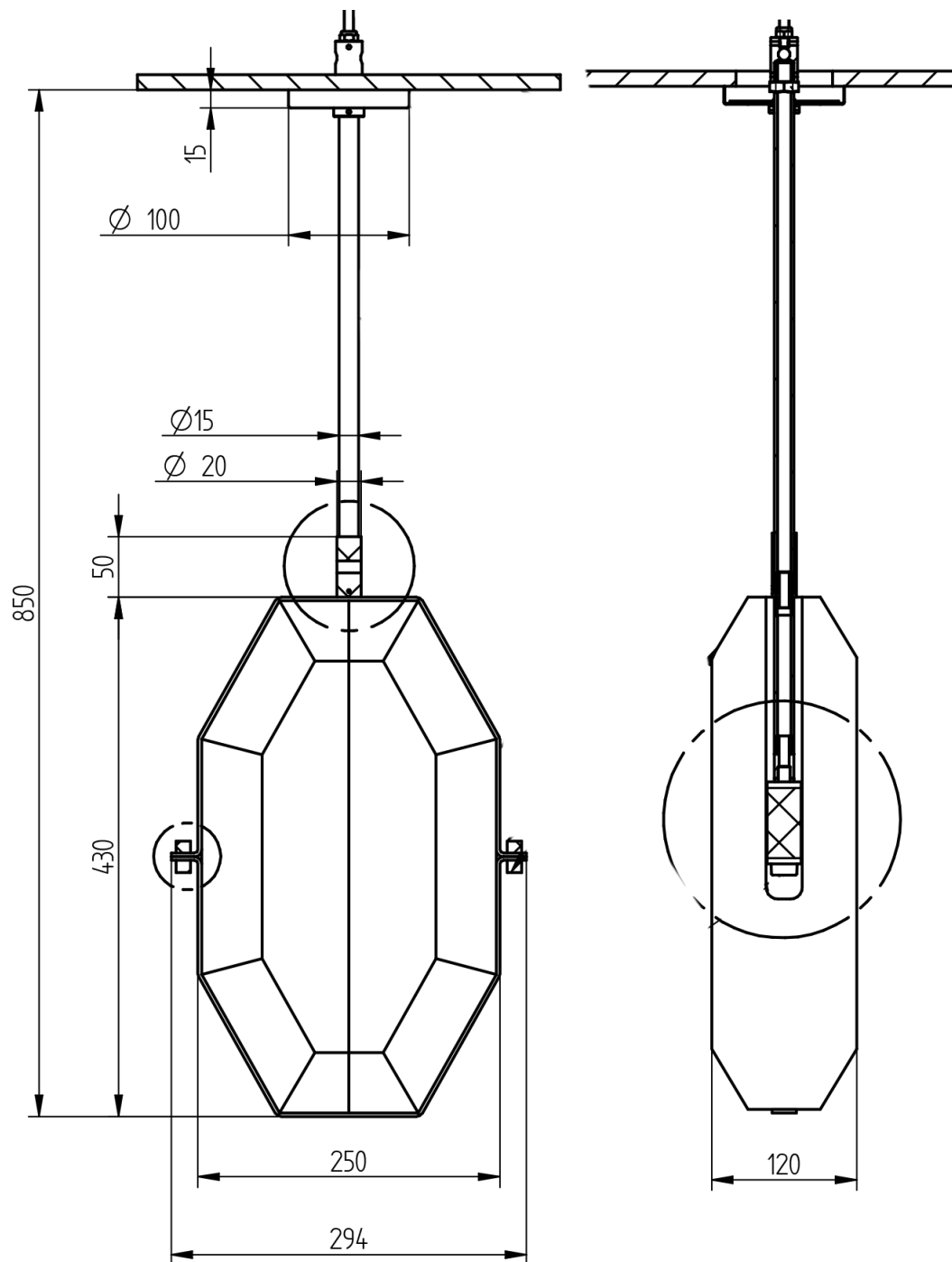
**Metal finish:** Light Antique Brass

**GAMES ROOM**



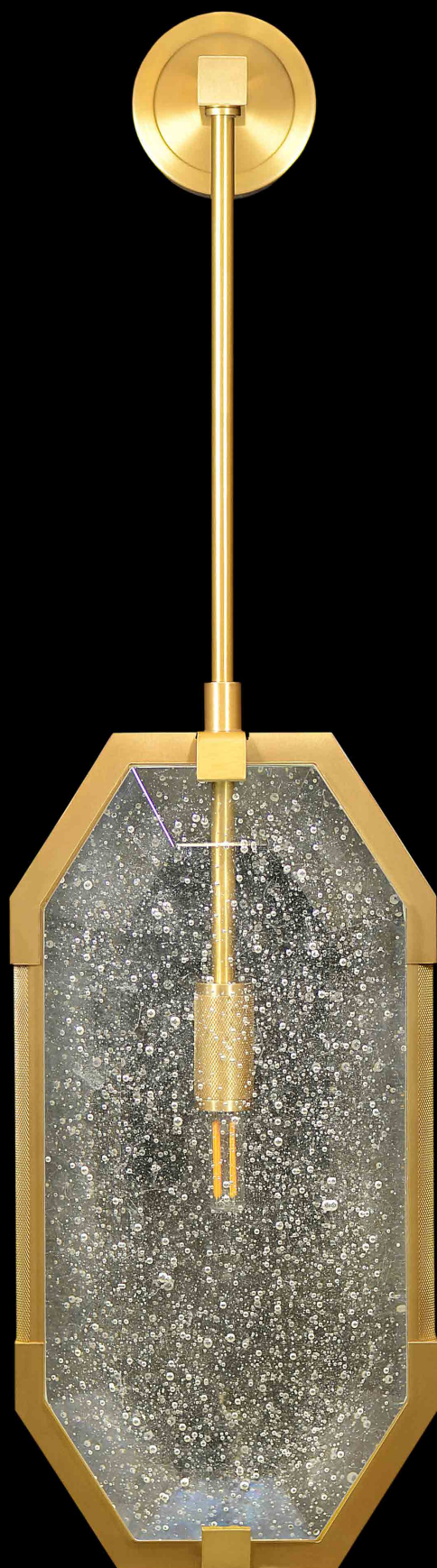


GAMES ROOM



GAMES ROOM





**Dimensions:** 630 x 175 x 120 mm

**Weight:** 9 Kg

**Light sources:** 1 x G9 LED  
2,3W/230V/2700K

**Trimmings:** —

**Glass parts:** Faceted Crystal Glass with Soda

**Metal finish:** Light Antigue Brass

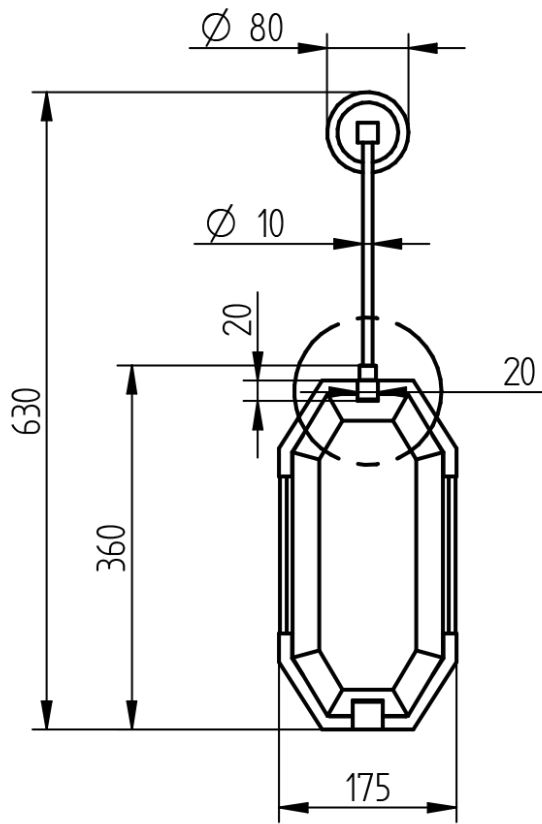
GAMES ROOM WL



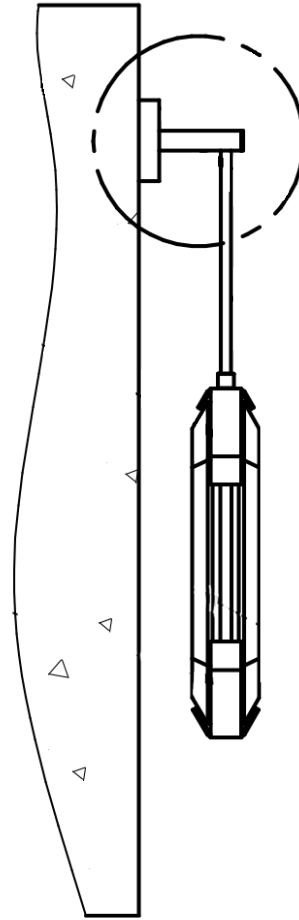


GAMES ROOM WL

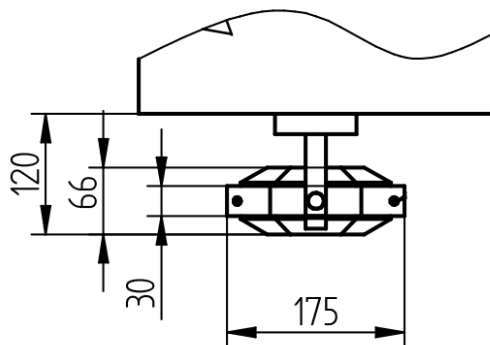
FRONT VIEW



SIDE VIEW



TOP VIEW

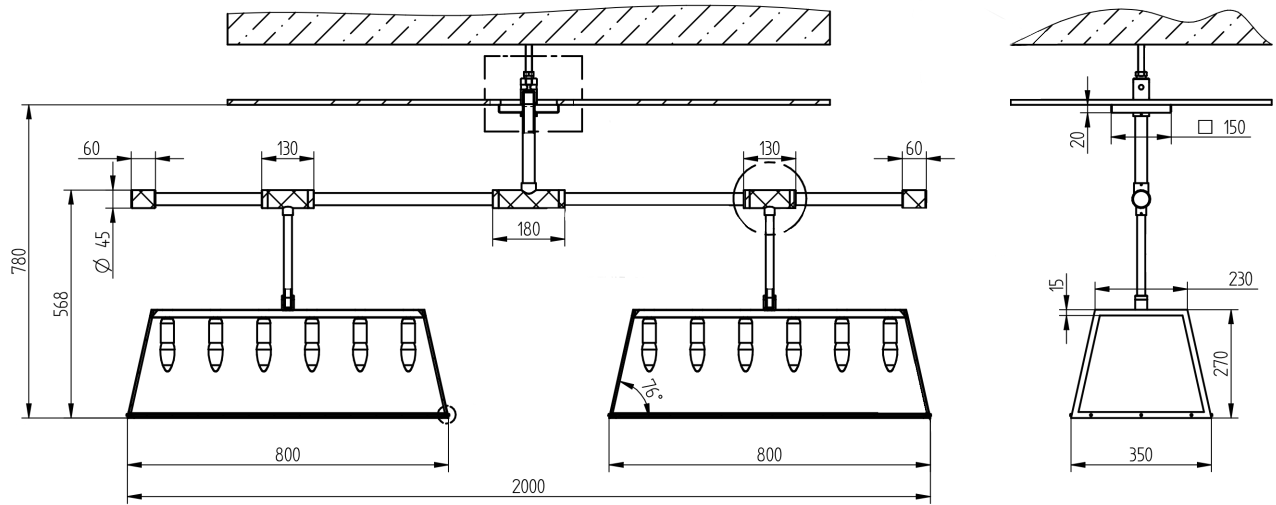




**Dimensions:** 2000 x 568 x 270 mm  
**Weight:** 25 Kg  
**Light sources:** 12 x E14 LED  
6W/230V/2700K  
**Trimming:** —  
**Glass parts:** —  
**Metal finish:** Light Antigue Brass

**GAMES ROOM**

FRONT VIEW



GAMES ROOM





**Dimensions:** 470 x 155 x 90 mm

**Weight:** 14 Kg

**Light sources:** 2 x G9 LED  
TBC W/24V/2700K

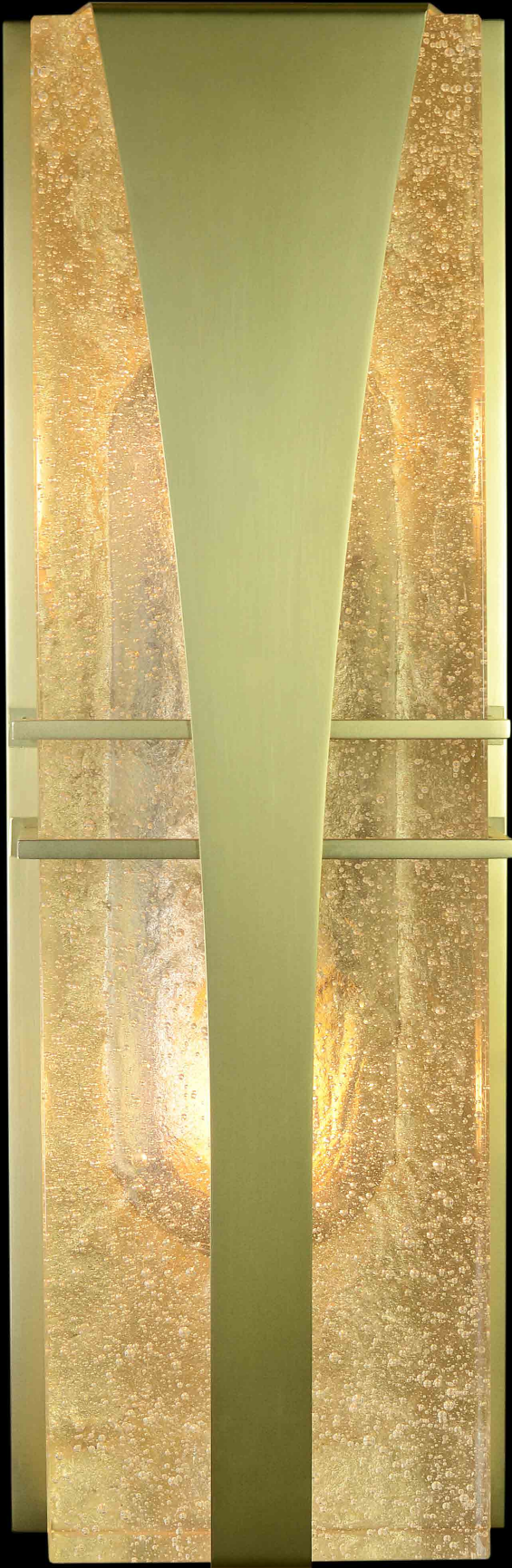
**Trimming:** —

**Glass parts:** Lead Crystal Glass

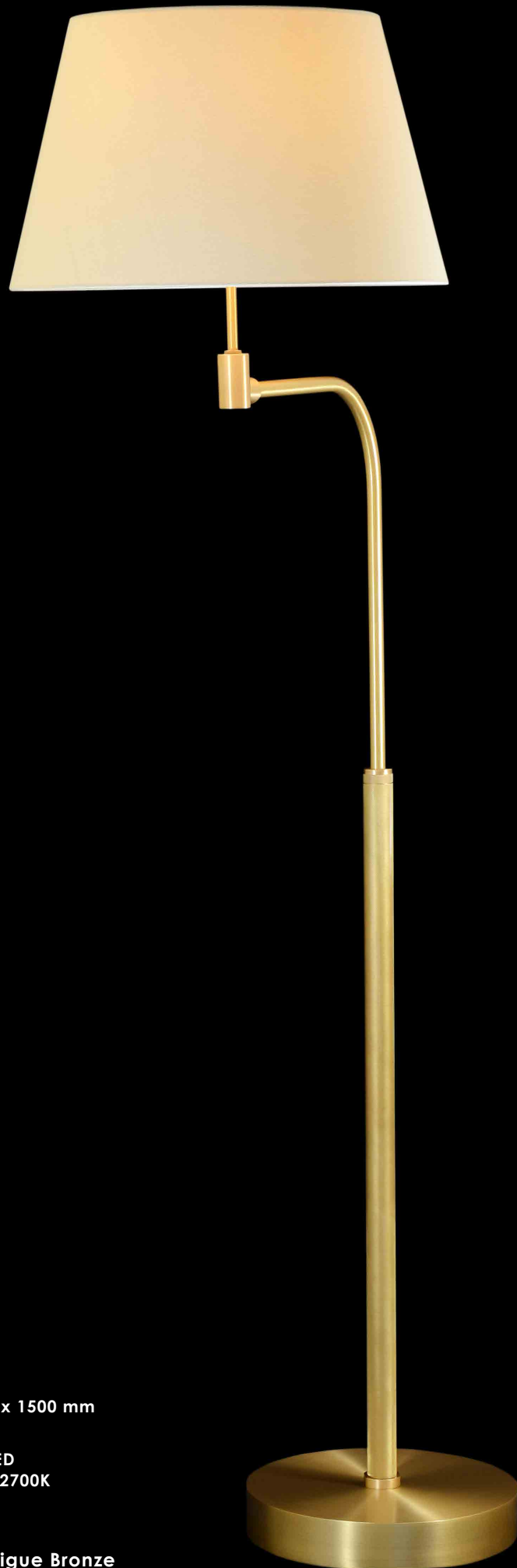
**Metal finish:** Polished Antique and Patinated Bronze

CINEMA ROOM WL

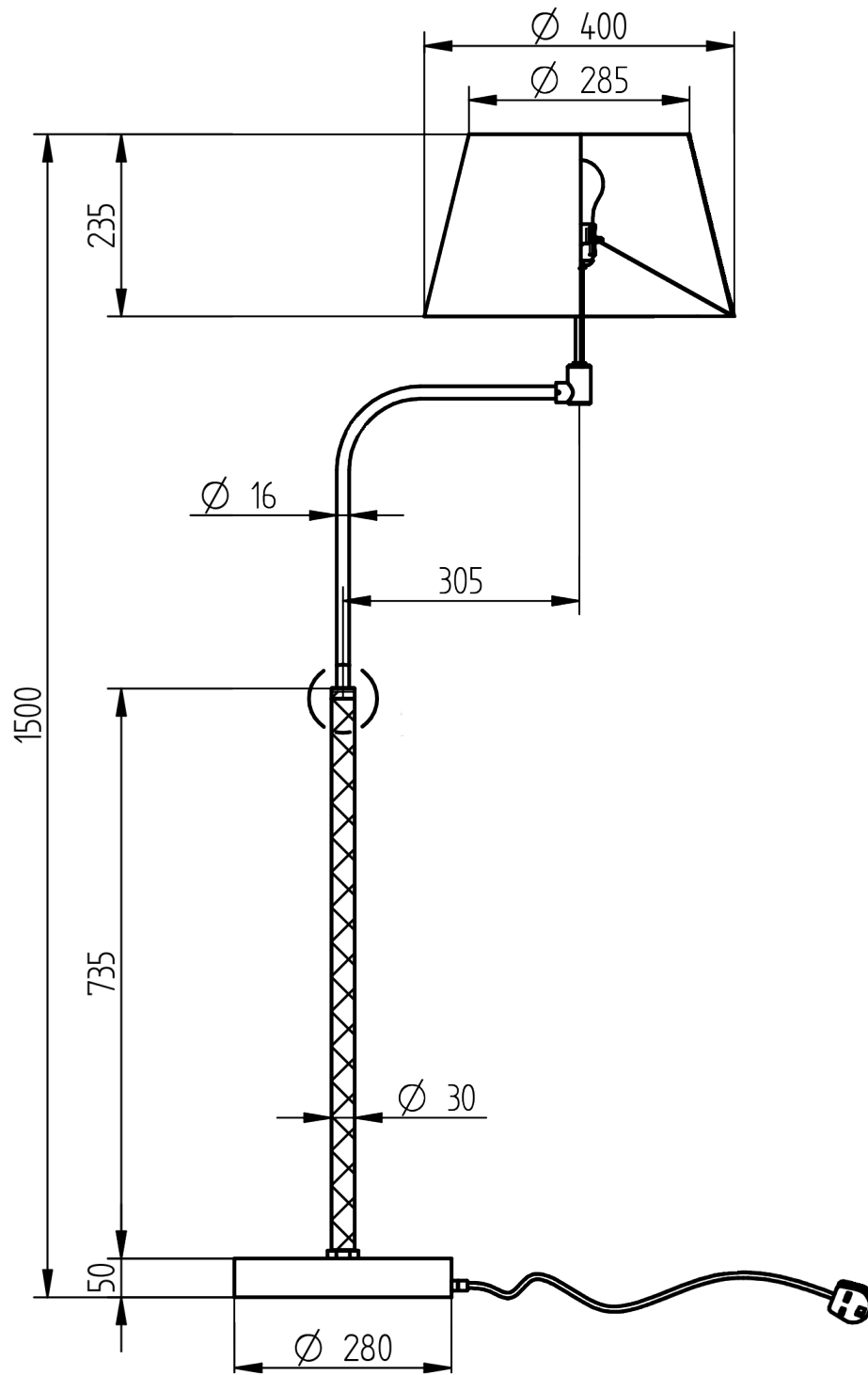




CINEMA ROOM WL



**Dimensions:** 400 x 645 x 1500 mm  
**Weight:** 24 Kg  
**Light sources:** 1 x B22 LED  
8W/230V/2700K  
**Trimmings:** —  
**Glass parts:** —  
**Metal finish:** Light Antique Bronze















PROJECT

# NOTTING HILL

*phase II*



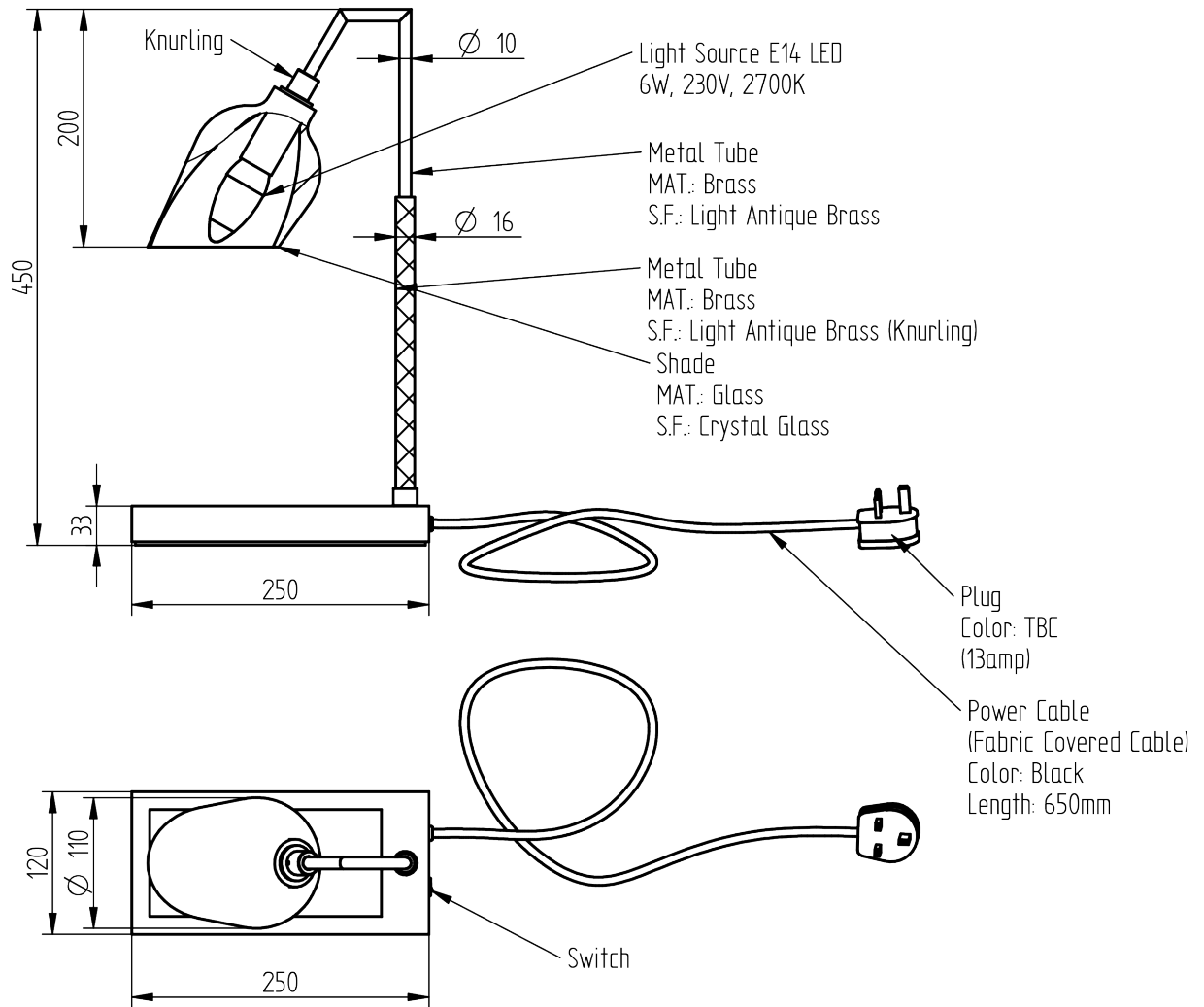
**Dimensions:** 450 x 250 x 120 mm  
**Weight:** 5 Kg  
**Light sources:** 1x E14/6W/2700K  
**Trimming:** —  
**Glass parts:** Hand Blow, Hand Cu  
Bohemian Crystal Glass  
**Metal finish:** Light Antique Brass

**TABLE LAMP**





TABLE LAMP



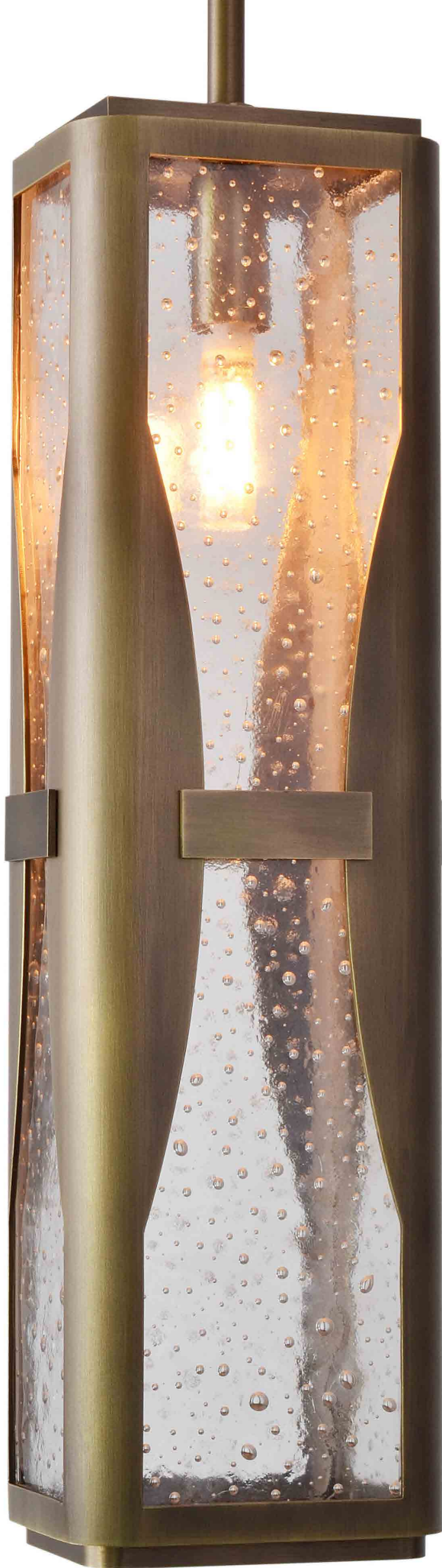
**TABLE LAMP**

DIMENSIONS



**Dimensions:** 100 x 80 x 360  
OAH 1050 mm  
**Weight:** 6 Kg  
**Light sources:** 1 x LED G9/2,3W/2700K  
**Trimmings:** —  
**Glass parts:** Mica Glass  
**Metal finish:** Antique Brass

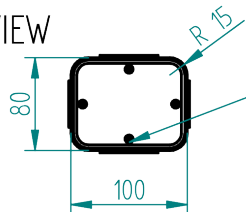
**BATHROOM 6**



BATHROOM 6

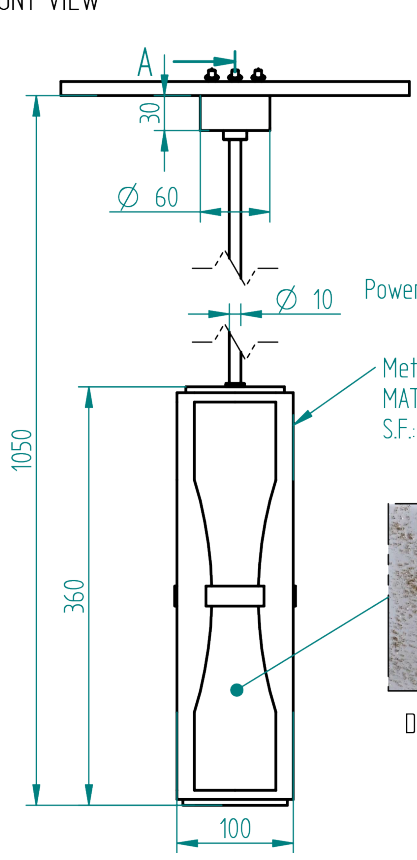


BOTTOM VIEW

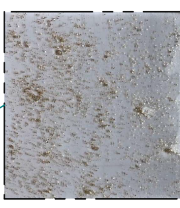


Cover of screw M2 4x  
MAT.: Brass  
S.F.: Antique Brass  
DIN: 963

FRONT VIEW

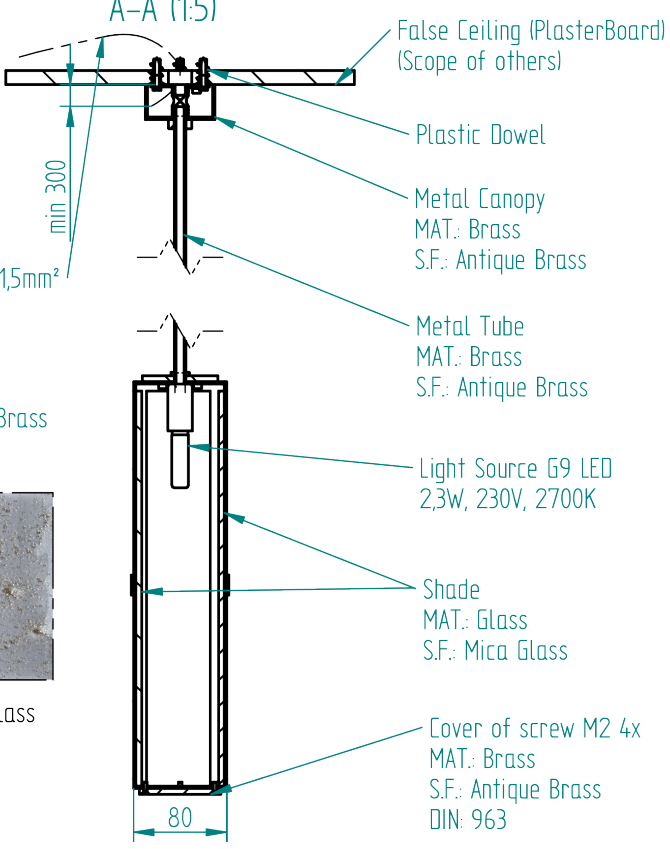


Metal Frame  
MAT.: Brass  
S.F.: Antique Brass



Detail of Glass

A-A (1:5)



False Ceiling (PlasterBoard)  
(Scope of others)

Plastic Dowel

Metal Canopy  
MAT.: Brass  
S.F.: Antique Brass

Metal Tube  
MAT.: Brass  
S.F.: Antique Brass

Light Source G9 LED  
2,3w, 230V, 2700K

Shade  
MAT.: Glass  
S.F.: Mica Glass

Cover of screw M2 4x  
MAT.: Brass  
S.F.: Antique Brass  
DIN: 963



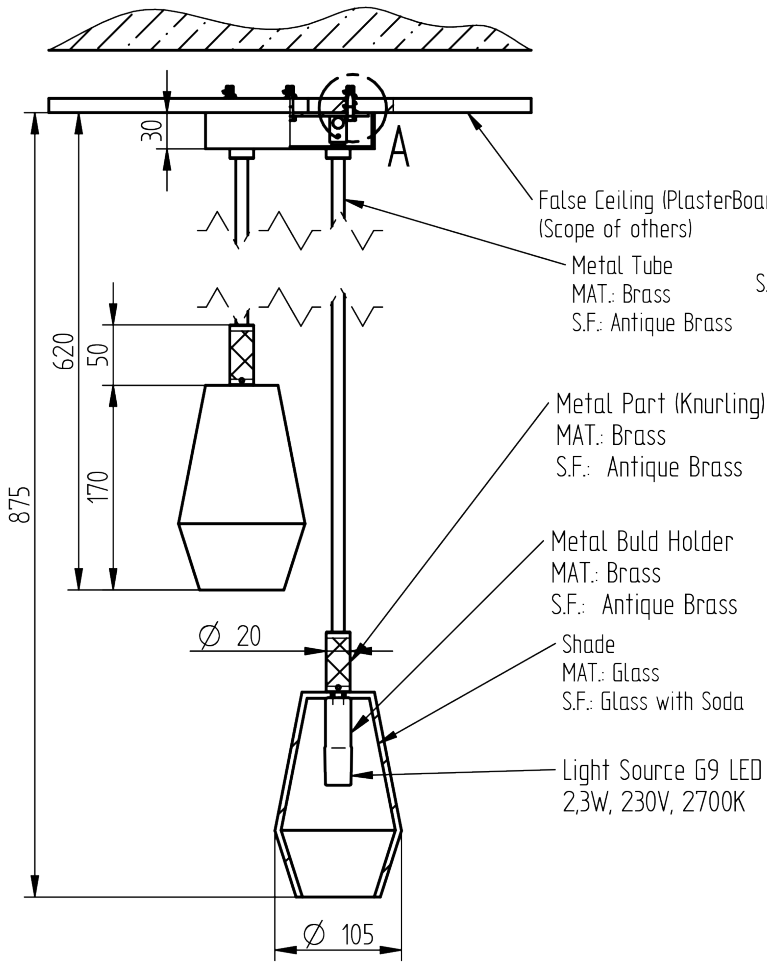
**Dimensions:** 185 x 145 x OAH 875 mm  
**Weight:** 6 Kg  
**Light sources:** 2 x G9 LED/2,3W/2700K  
**Trimmings:** —  
**Glass parts:** Hand Blown, Hand Cut  
Bohemian Crystal Glass  
with Soda  
**Metal finish:** Antique Brass

SUMMER HOUSE PENDANT

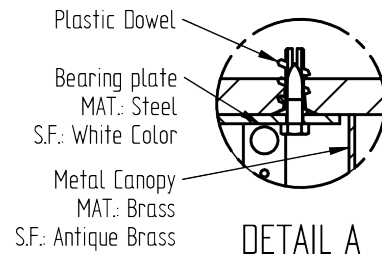
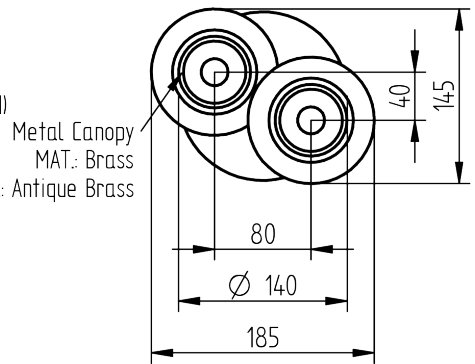


SUMMER HOUSE PENDANT

FRONT VIEW



BOTTOM VIEW



SUMMER HOUSE PENDANT

DIMENSIONS



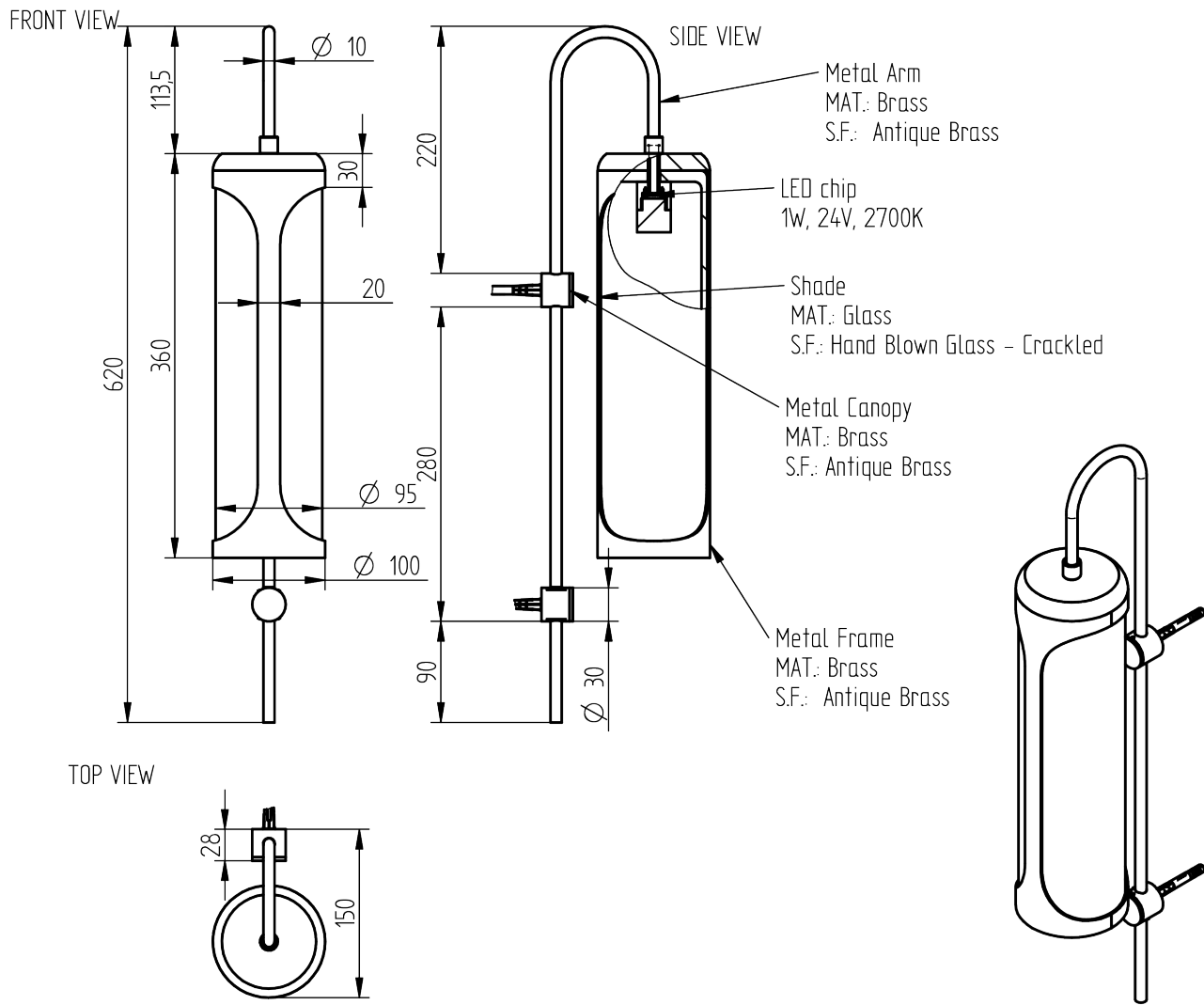


**Dimensions:** 620 x 100 x 150 mm  
**Weight:** 5 Kg  
**Light sources:** 1 x LED CHIP/1W/2700K  
**Trimming:** —  
**Glass parts:** Hand Blown Glass  
- Crackled  
**Metal finish:** Antique Brass

**BATHROOM 4 WL**



BATHROOM 4 WL



**BATHROOM 4 WL**

DIMENSIONS



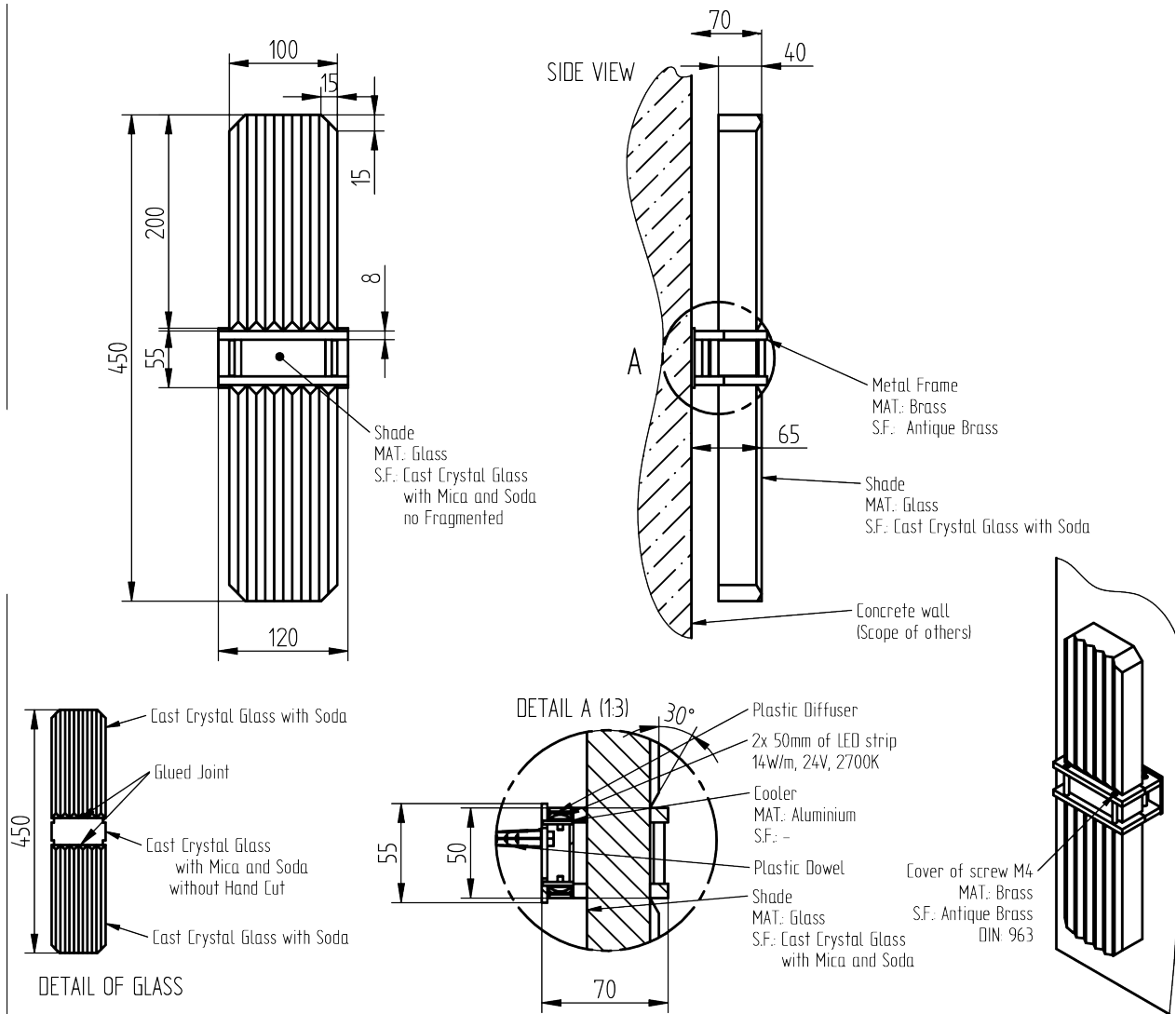
**Dimensions:** 450 x 120 x 70 mm  
**Weight:** 5 Kg  
**Light sources:** 2 x 50mm of LED Strip /14W/m/2700K  
**Trimmings:** —  
**Glass parts:** Cast Crystal Glass with Soda, Cast Crystal Glass with Mica and Soda, without Hand Cut  
**Metal finish:** Antique Brass

**BATHROOM 7 WL**





BATHROOM 7 WL





**Dimensions:** 580 x 160 x 150 mm  
**Weight:** 4,5 Kg  
**Light sources:** 4 x 350mm of LED Strip/14W/m/2700K  
**Trimmings:** —  
**Glass parts:** Alabaster  
**Metal finish:** Antique Brass

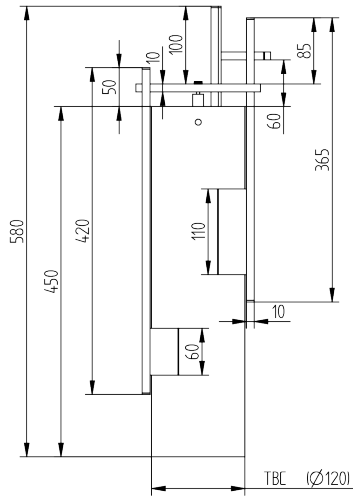
MASTER BATHROOM WL



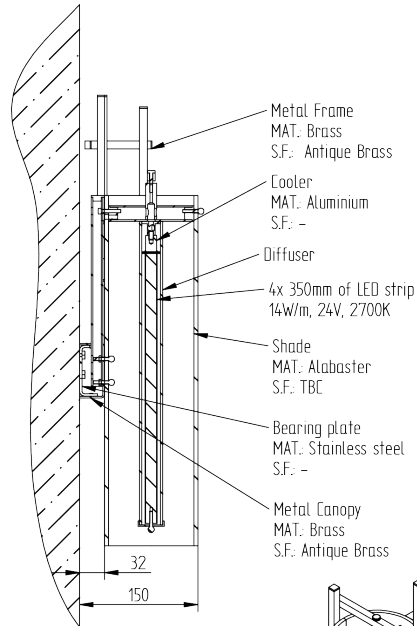
MASTER BATHROOM WL



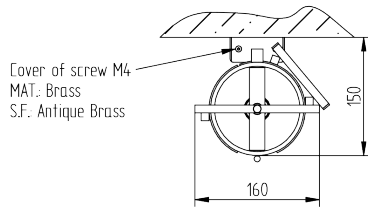
FRONT VIEW



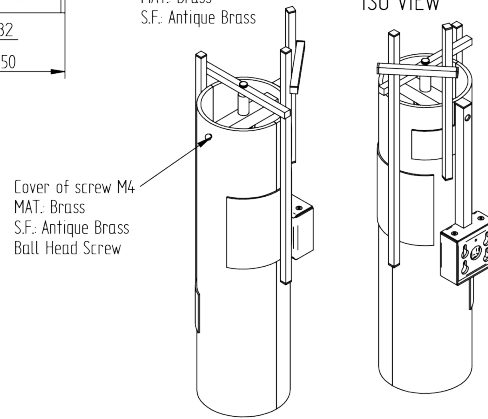
SIDE VIEW (CUT)



TOP VIEW



ISO VIEW



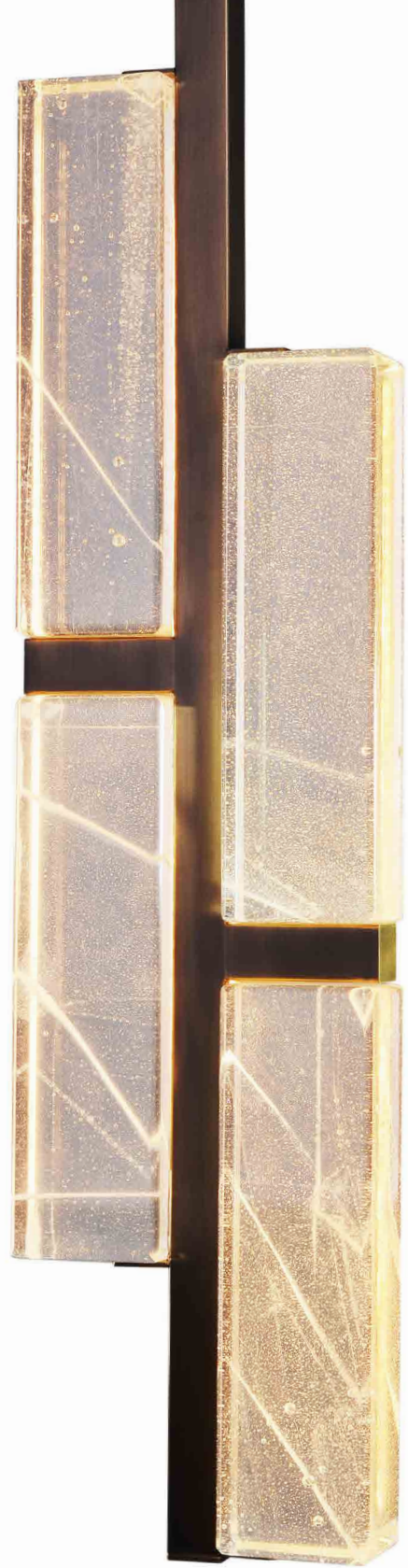
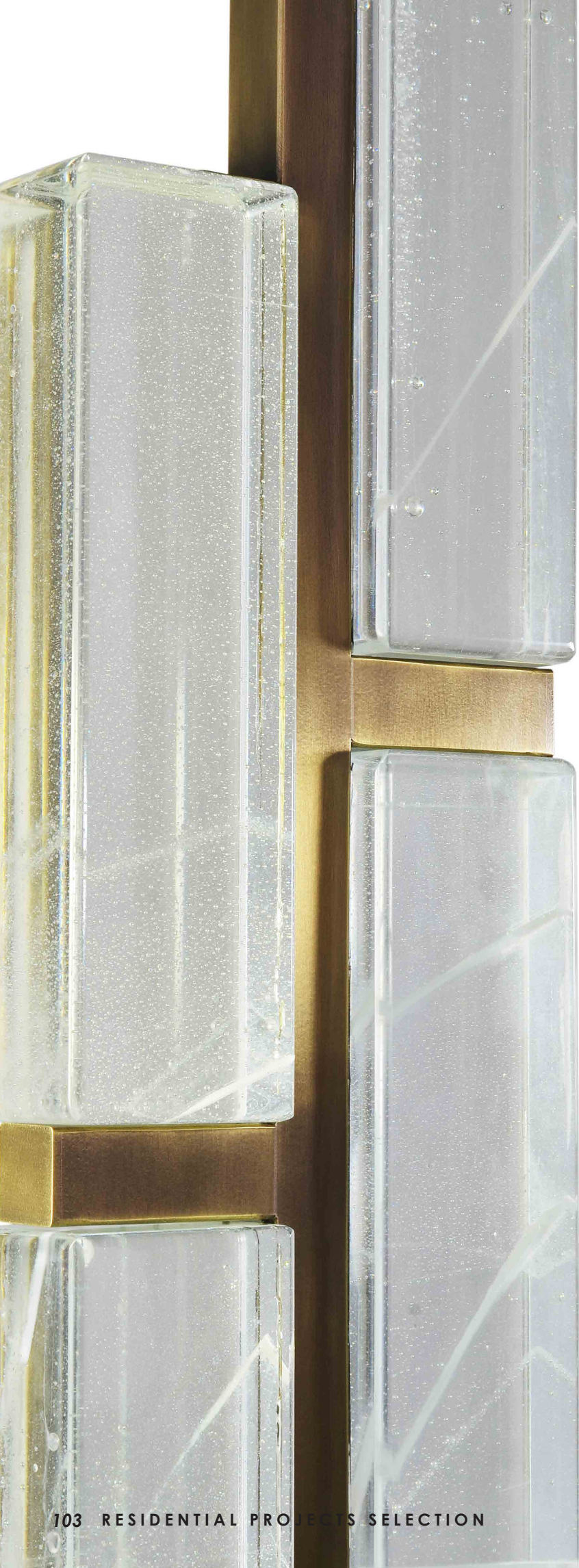
MASTER BATHROOM WL

DIMENSIONS

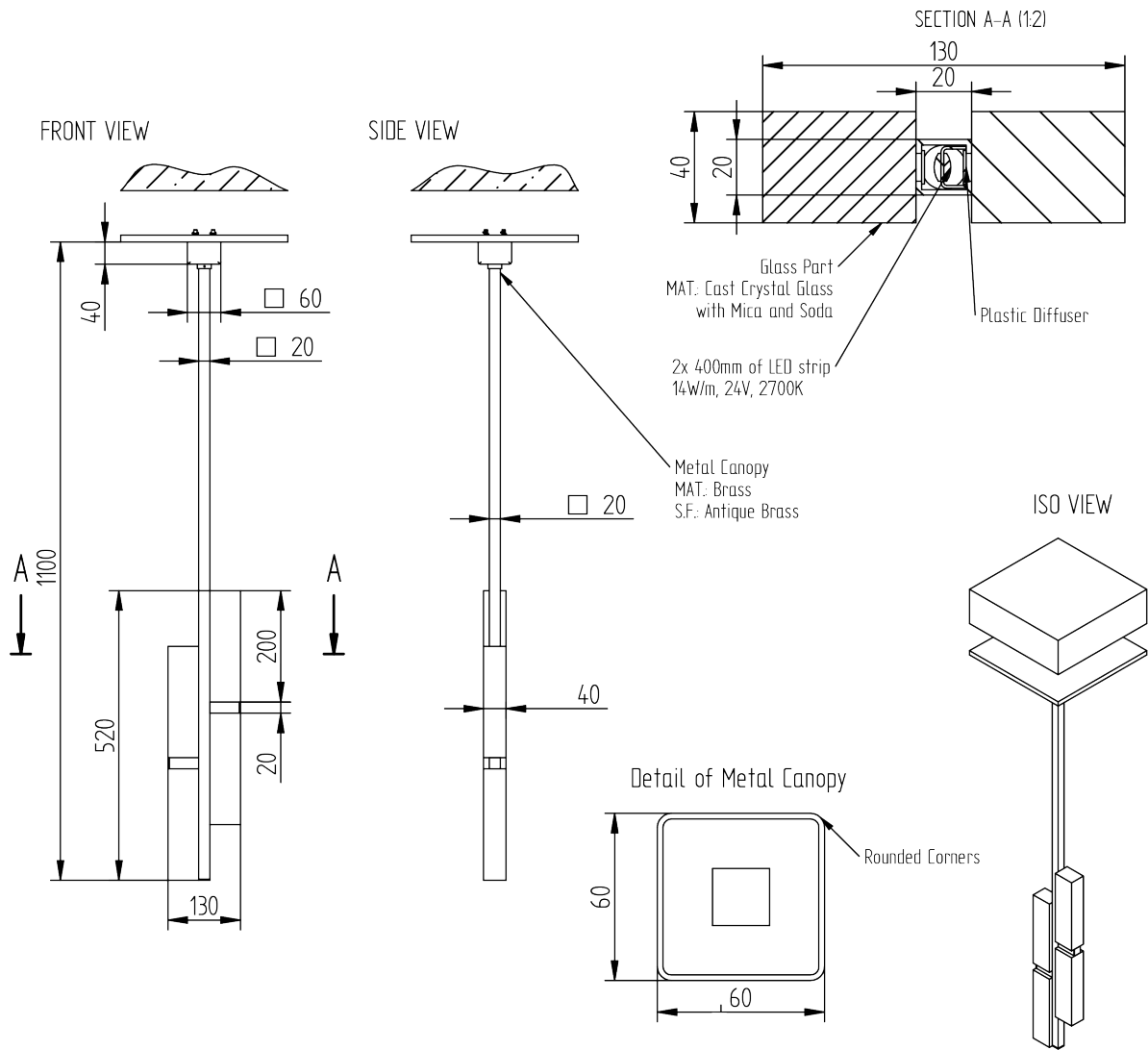


**Dimensions:** 1100 x 130 x 40 mm  
**Weight:** 10 Kg  
**Light sources:** 2 x 400mm of LED Strip/14W/m/2700K  
**Trimming:** —  
**Glass parts:** Cast Crystal Glass with Mica and Soda  
**Metal finish:** Antique Brass

**POWDER ROOM PENDANT**



POWDER ROOM PENDANT



**POWDER ROOM PENDANT**

DIMENSIONS









PROJECT

# AL MANNAI VILLA







**Dimensions:** 1500 x 650 x 372 mm

**Weight:** 90 Kg

**Light sources:** 10 x E14 LED  
6W/230V/2700K

**Trimmings:** —

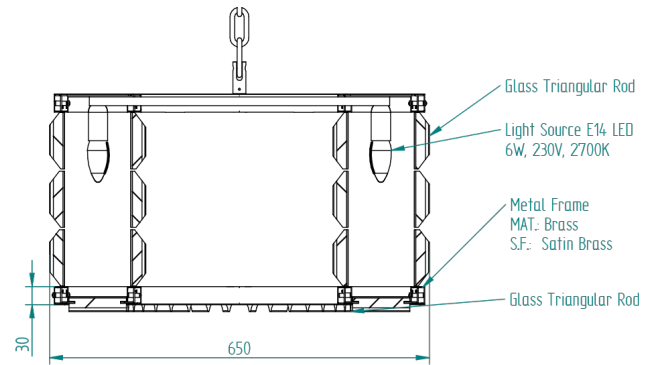
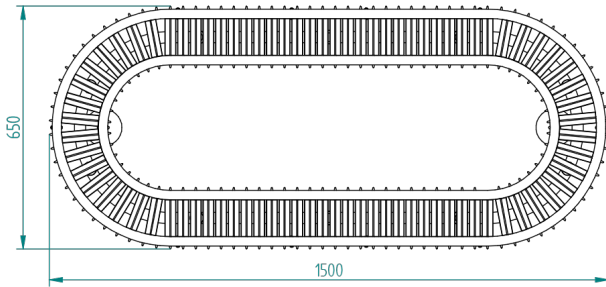
**Glass parts:** Triangular Glass Rods

**Metal finish:** Satin Brass

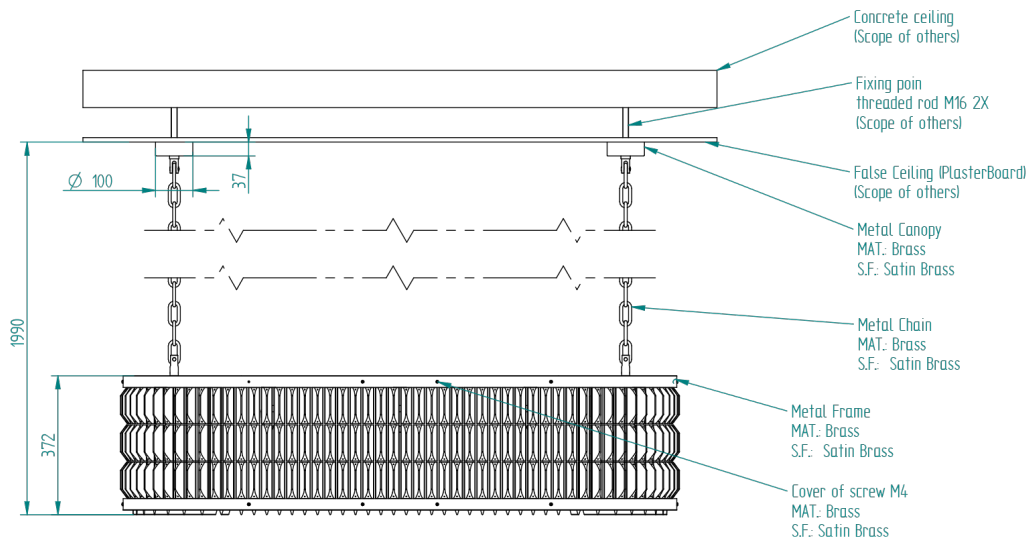




BOTTOM VIEW



TOP VIEW



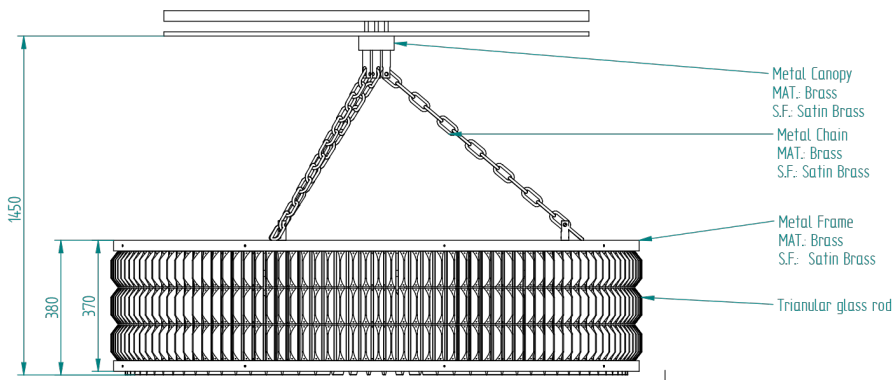
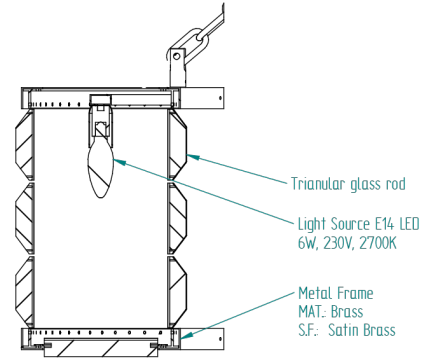
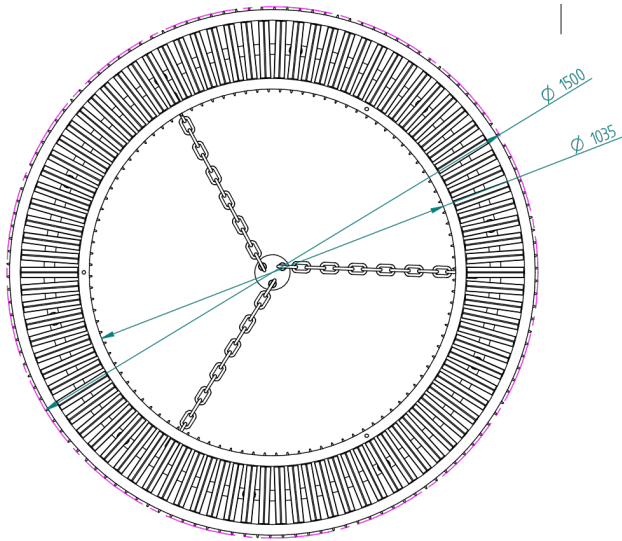


**Dimensions:** dia. 1500 x 380 x 1450 mm  
**Weight:** 100 Kg  
**Light sources:** 10 x E14 LED  
6W/230V/2700K  
**Trimmings:** —  
**Glass parts:** Triangular Glass Rods  
**Metal finish:** Satin Brass









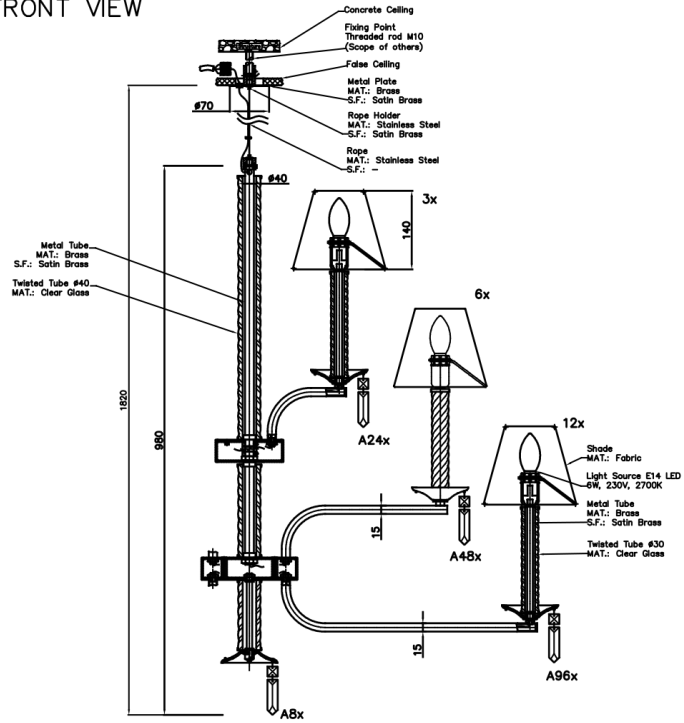


**Dimensions:** dia. 1140 x 980 x 1820 mm  
**Weight:** 50 Kg  
**Light sources:** 21 x E14 LED  
6W/230V/2700K  
**Trimming:** —  
**Glass parts:** Clear Glass  
**Metal finish:** Satin Brass

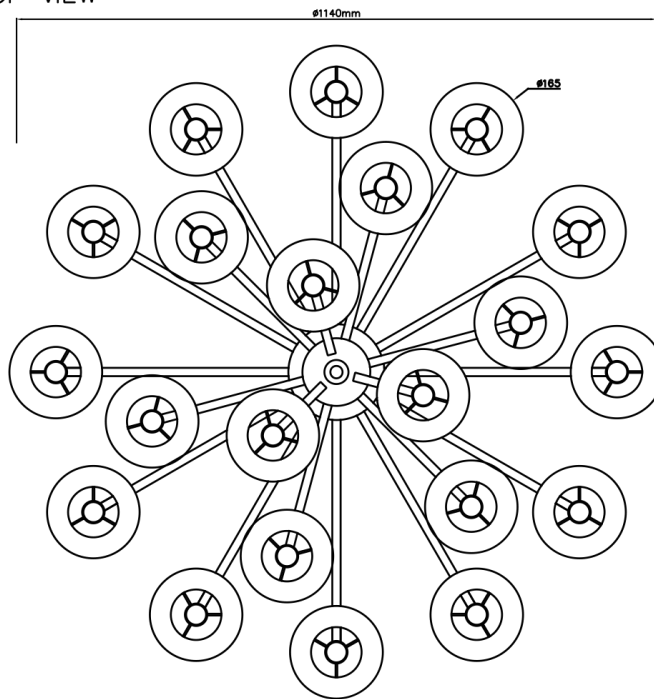




FRONT VIEW



TOP VIEW







# REALISATIONS



























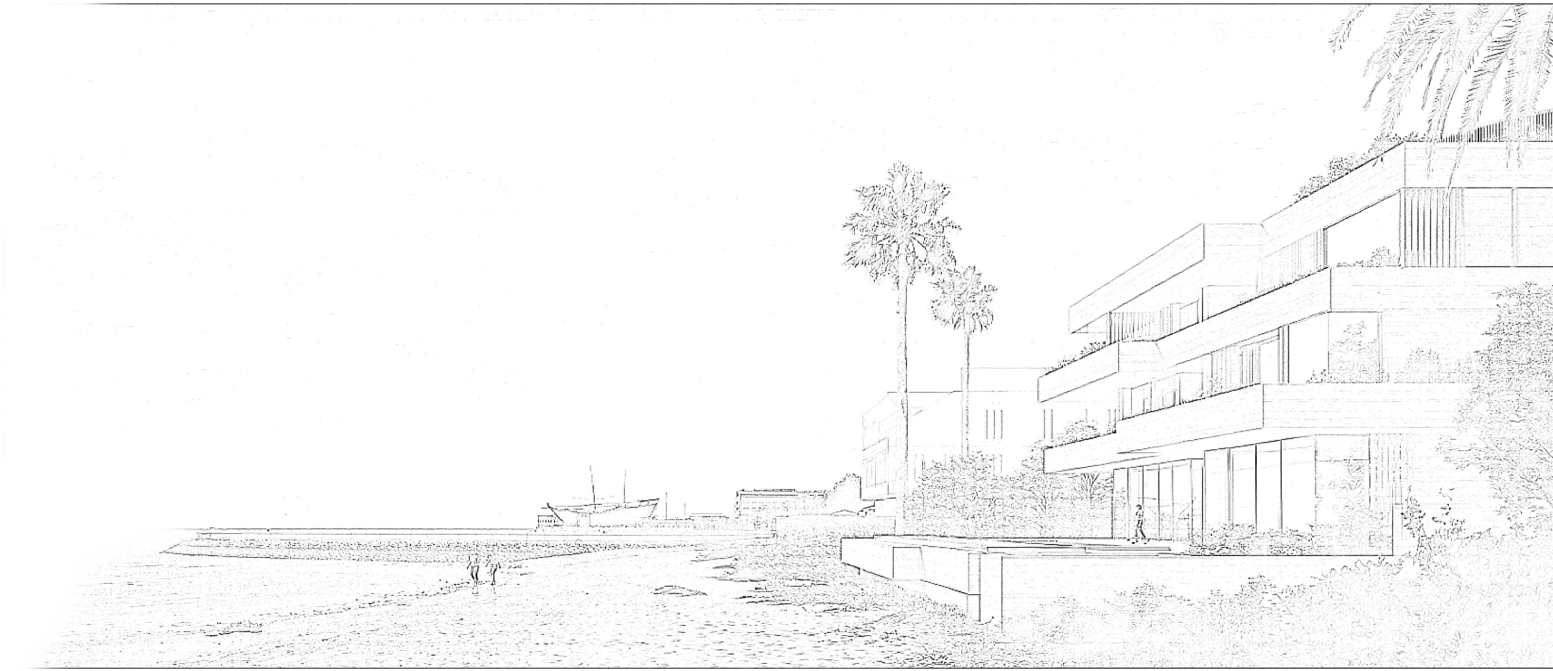




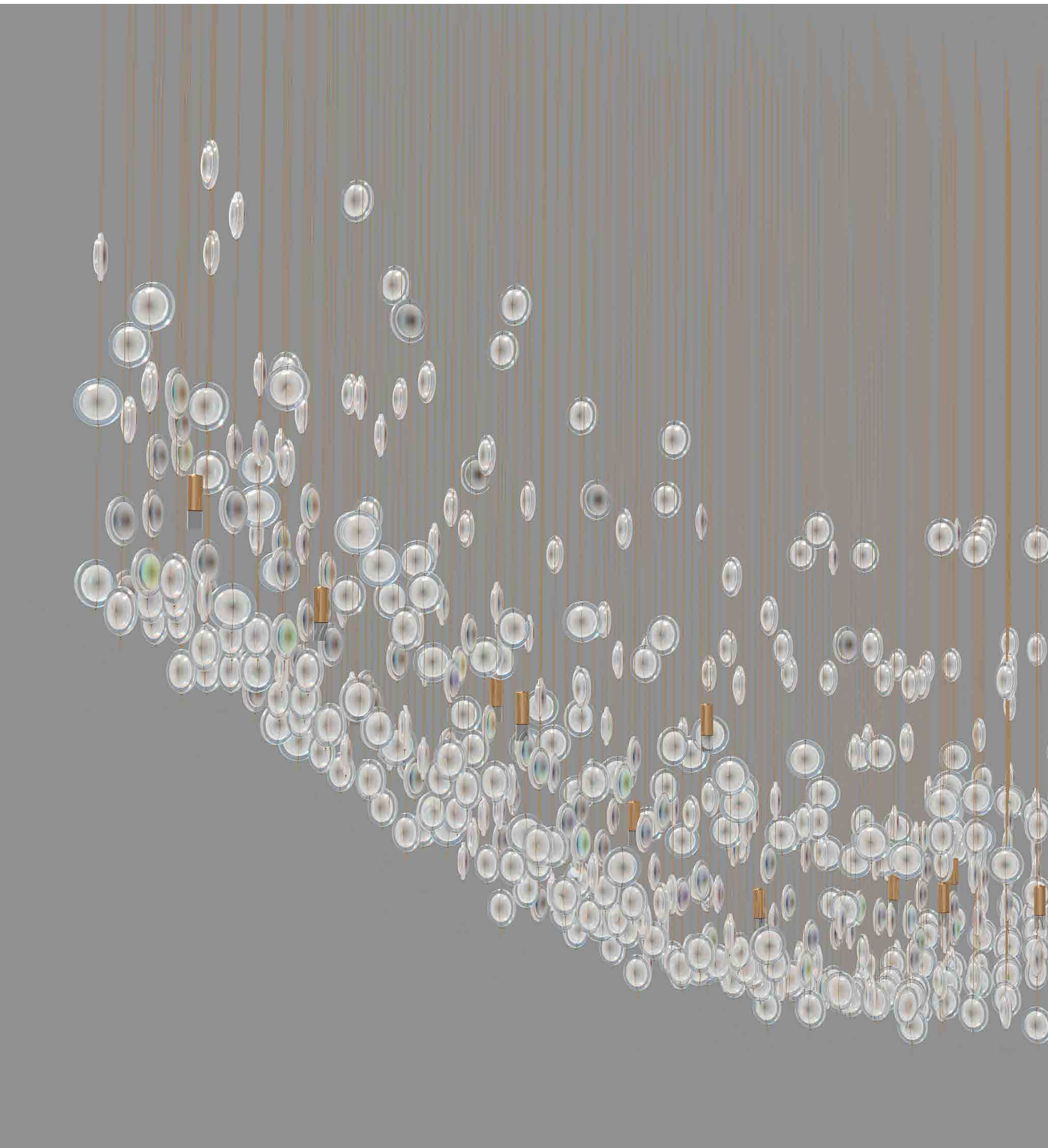
# VISUALISATIONS

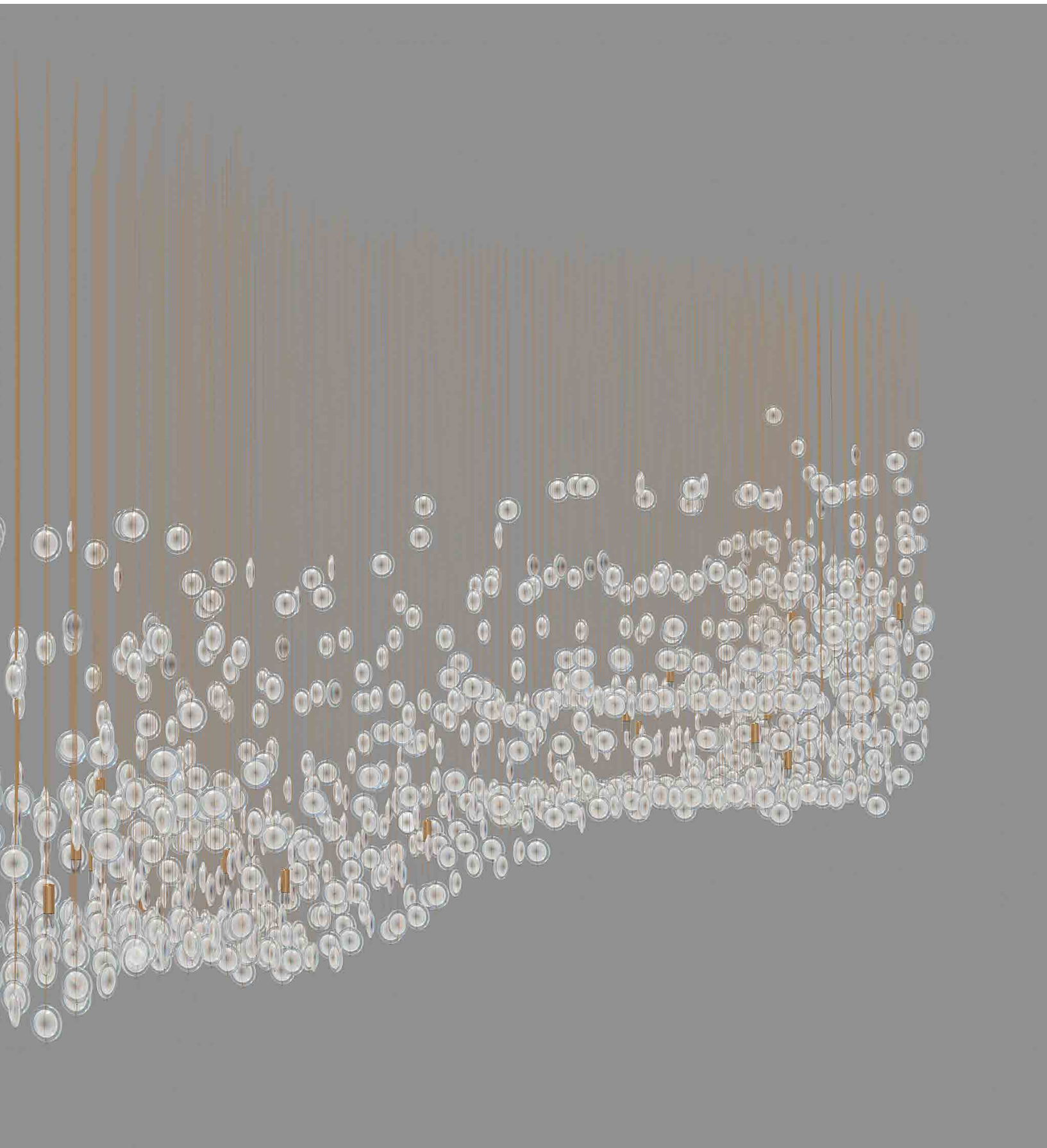


# PRIVATE RESIDENCE

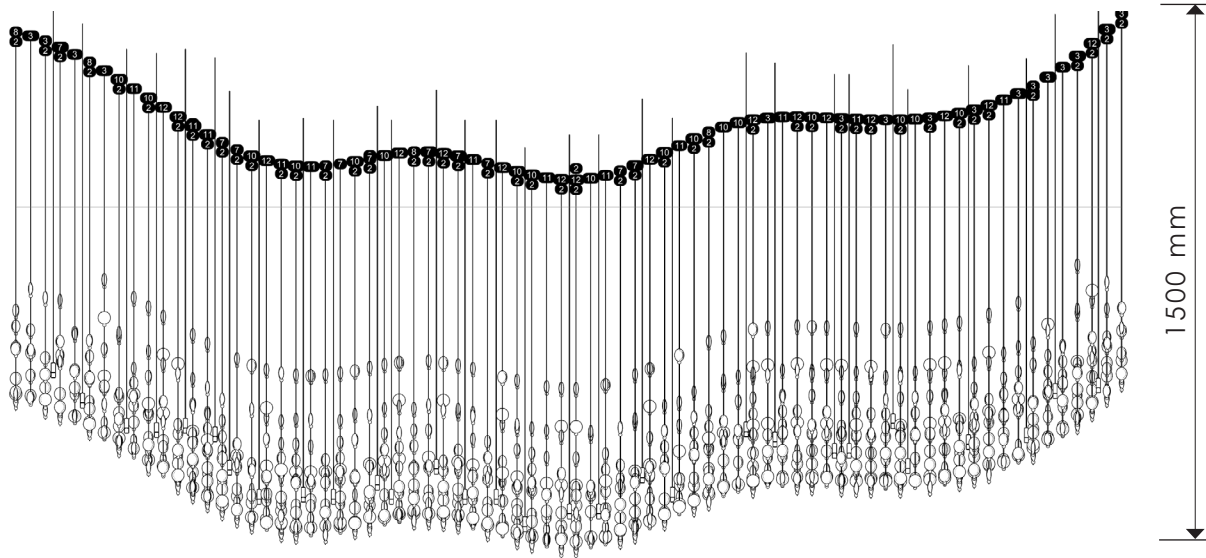




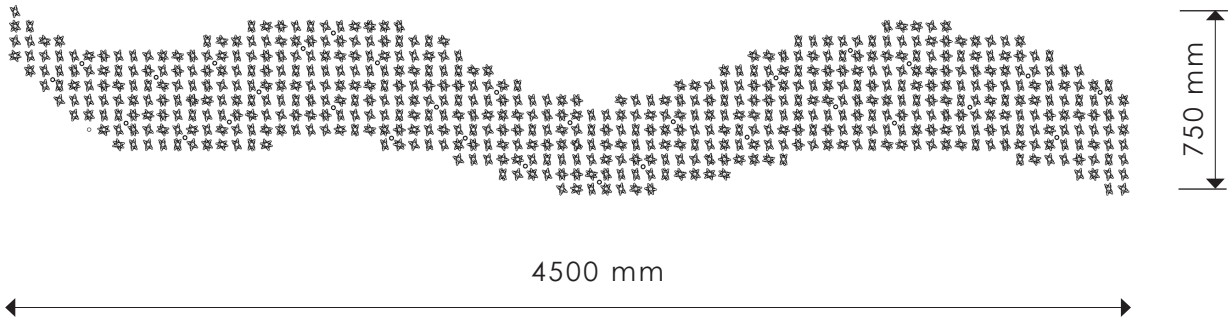




FRONT VIEW

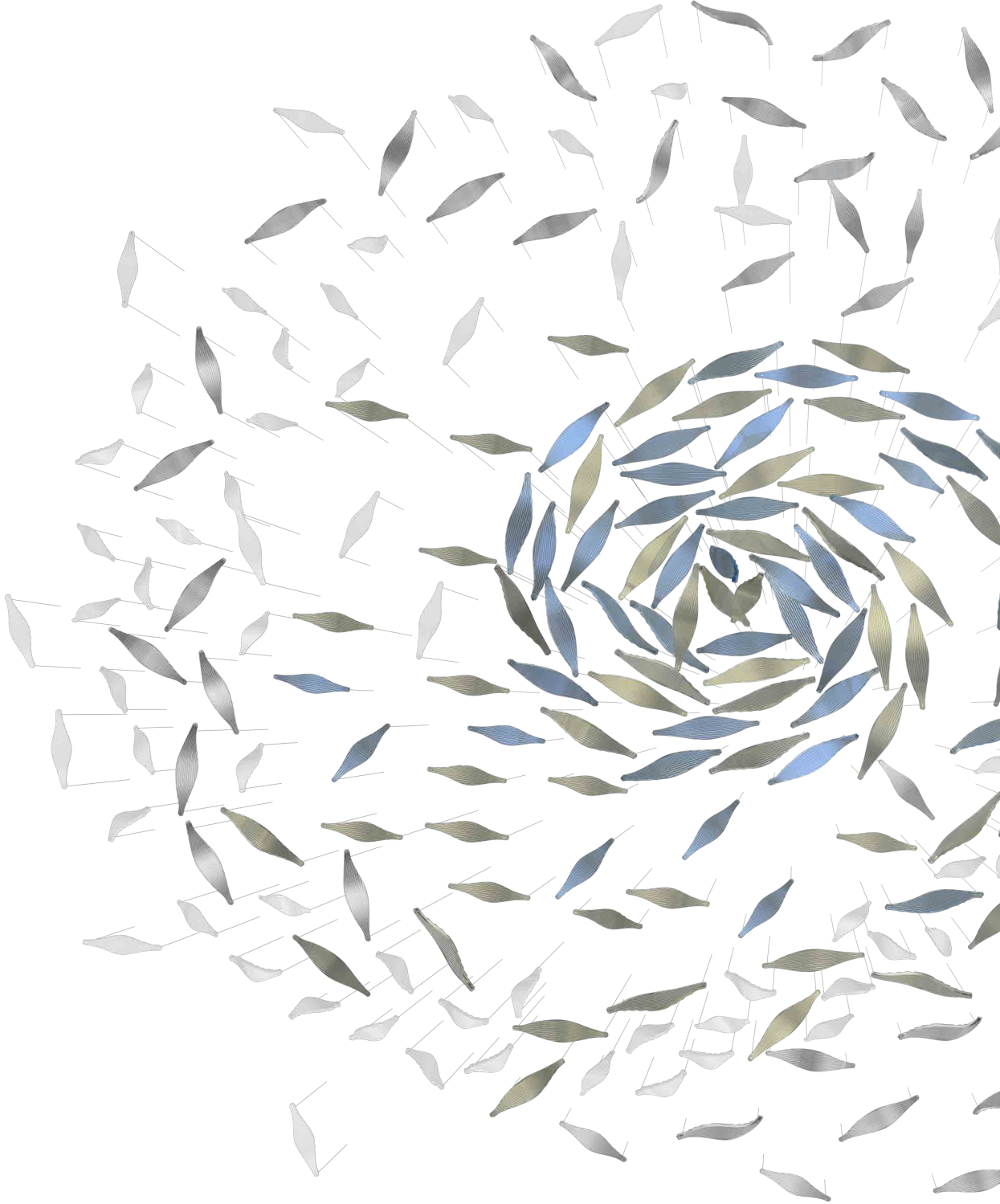


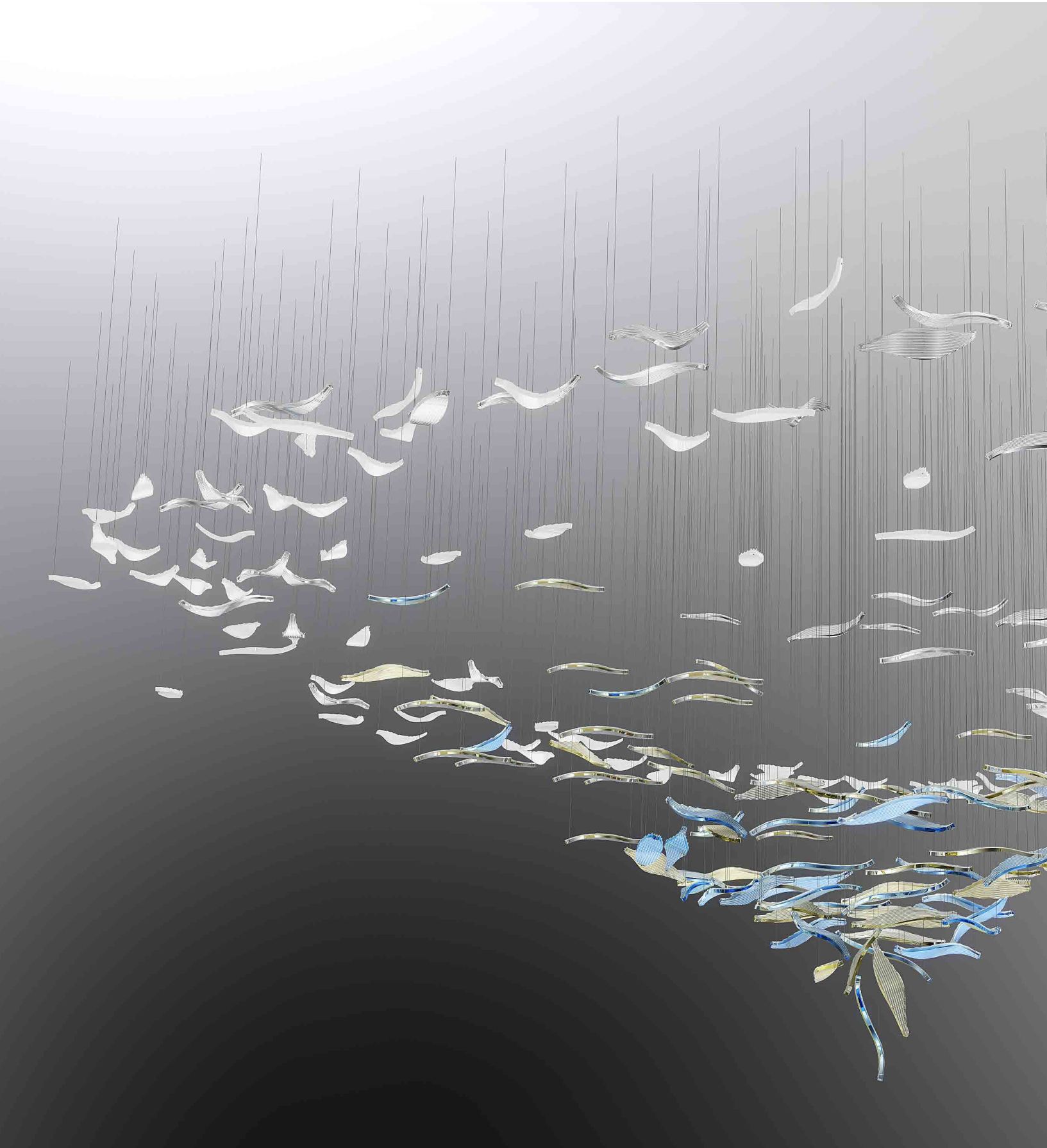
BOTTOM VIEW





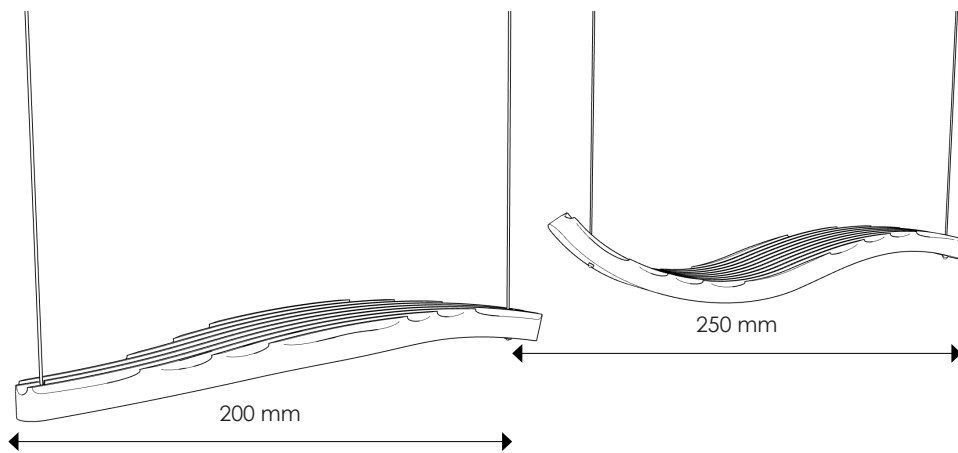
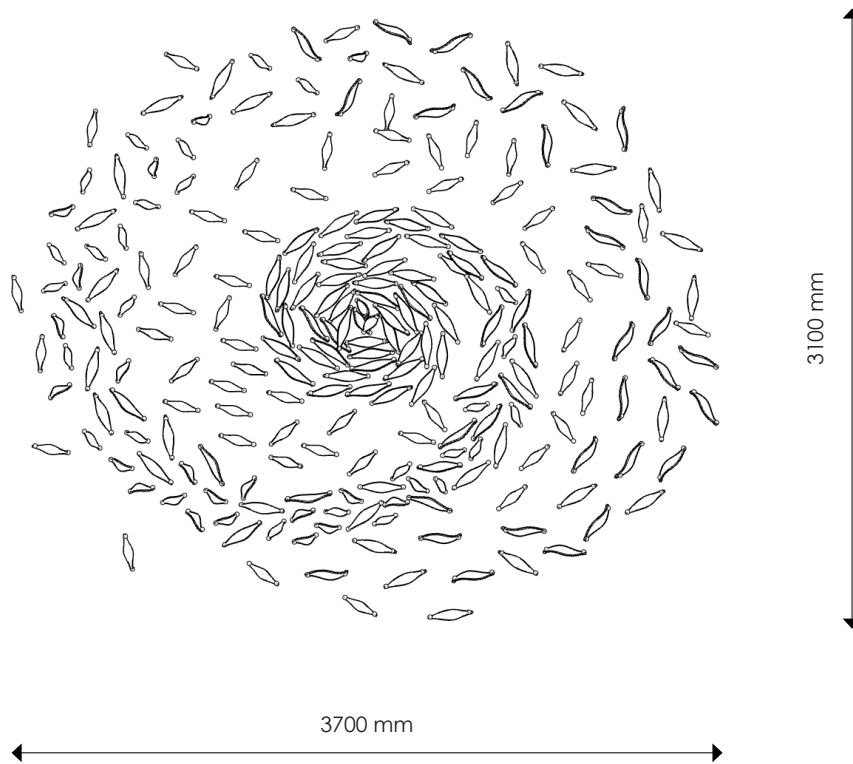
# CHARLES STREET











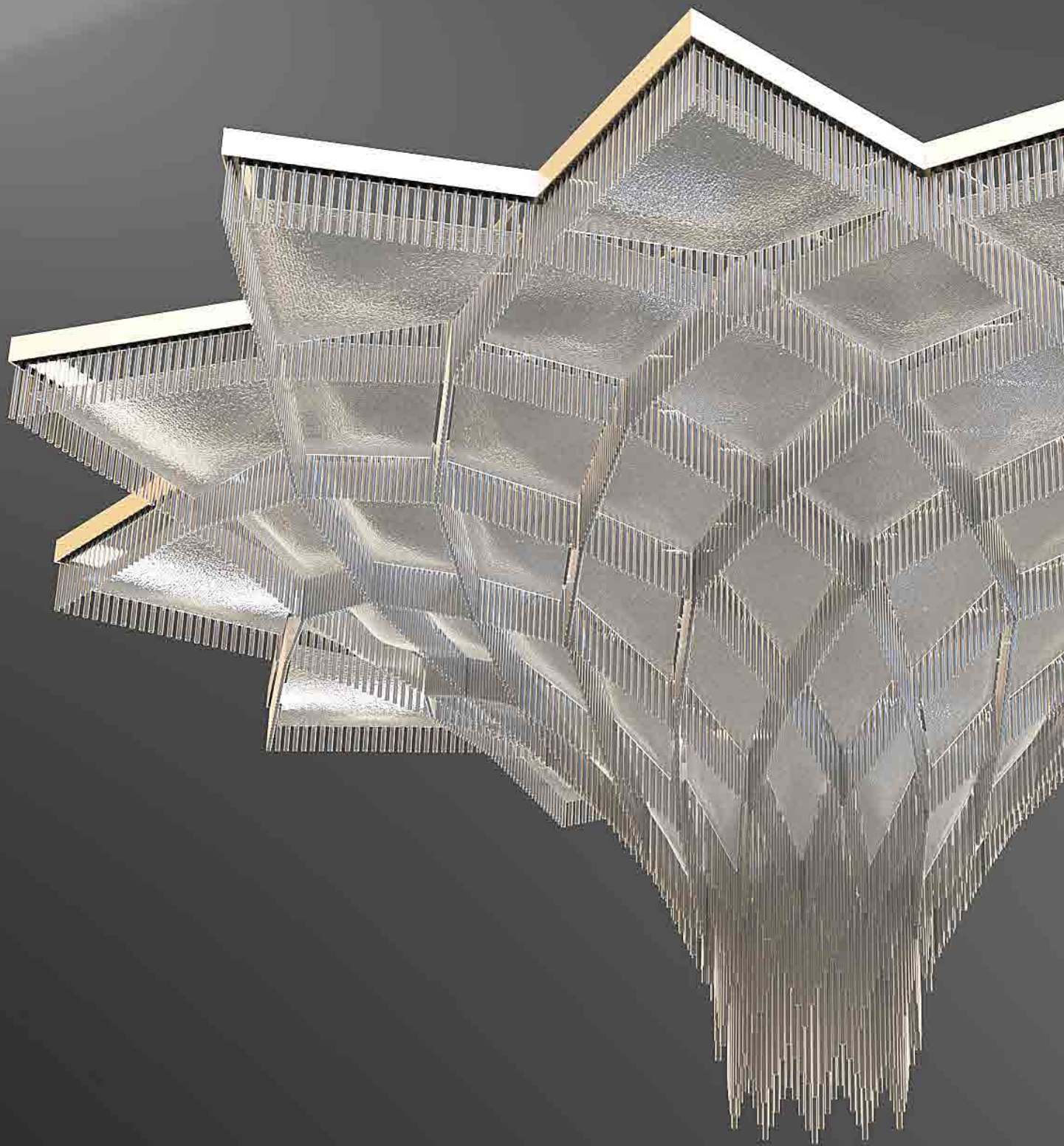
color schema: light blue, amber, clear, opal

DIMENSIONS

# DOME CHANDELIER

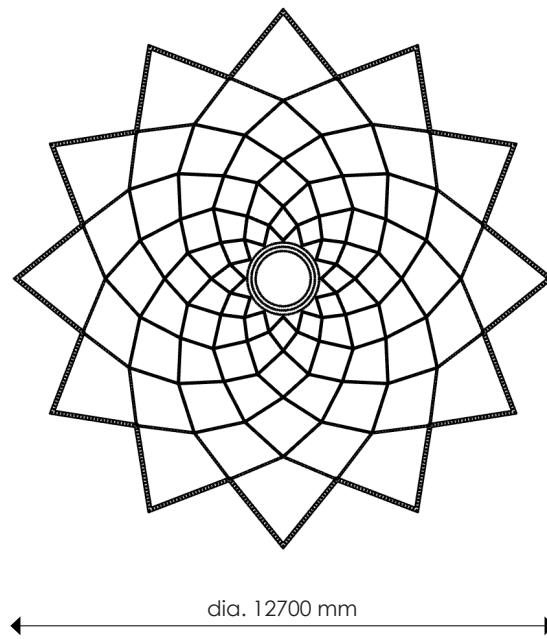
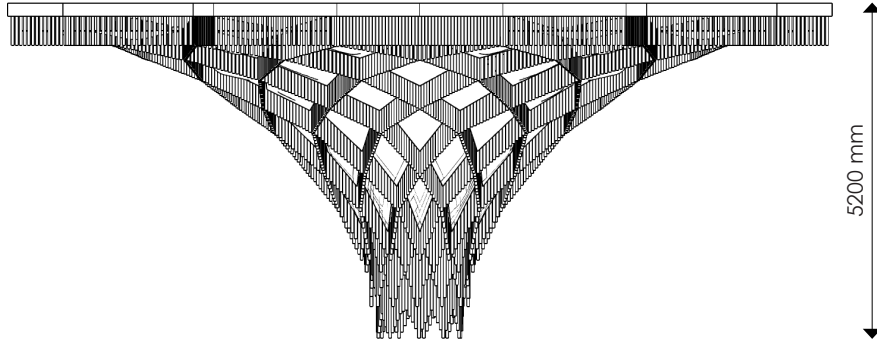
MAIN HALL







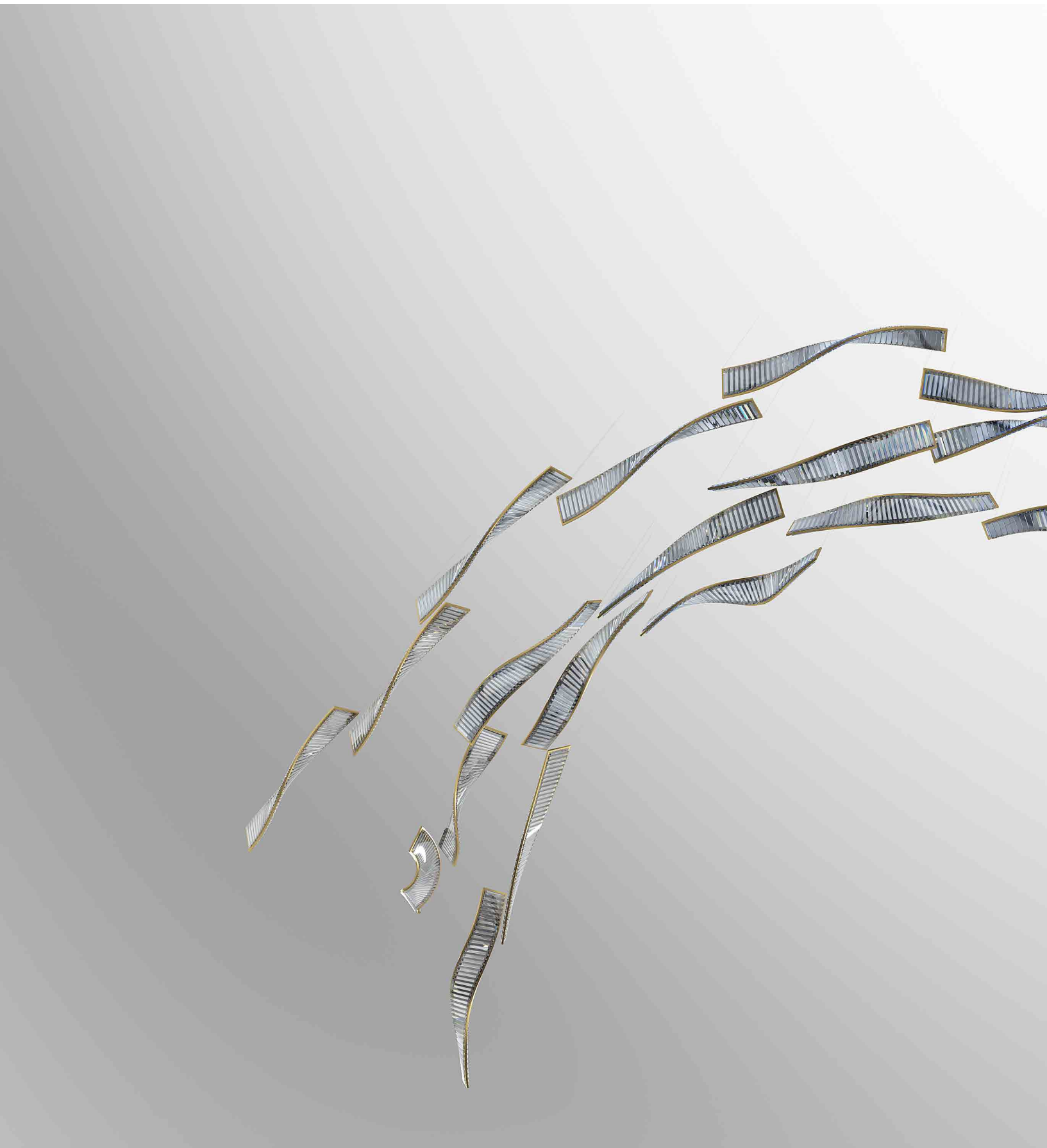




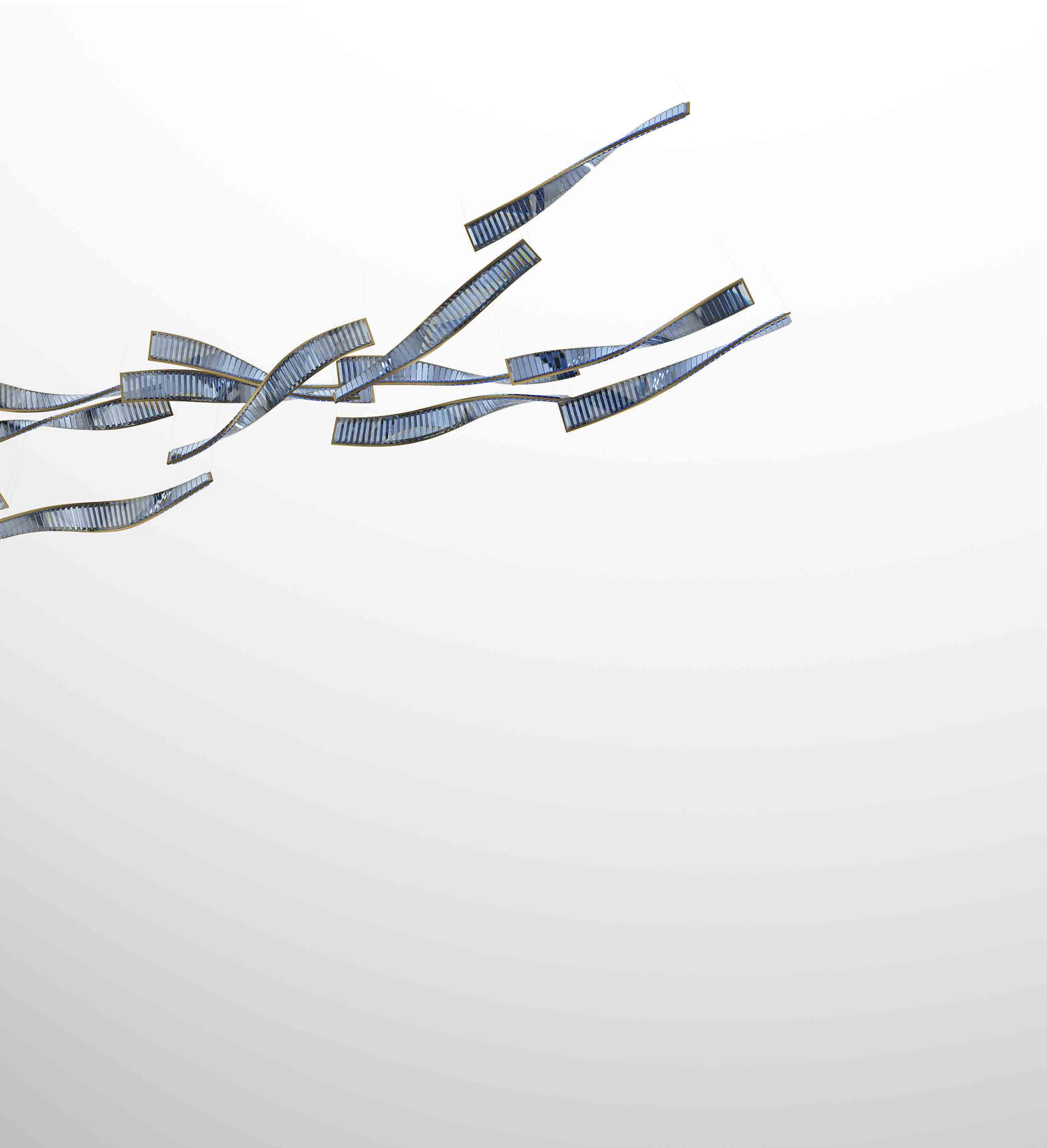
DIMENSIONS

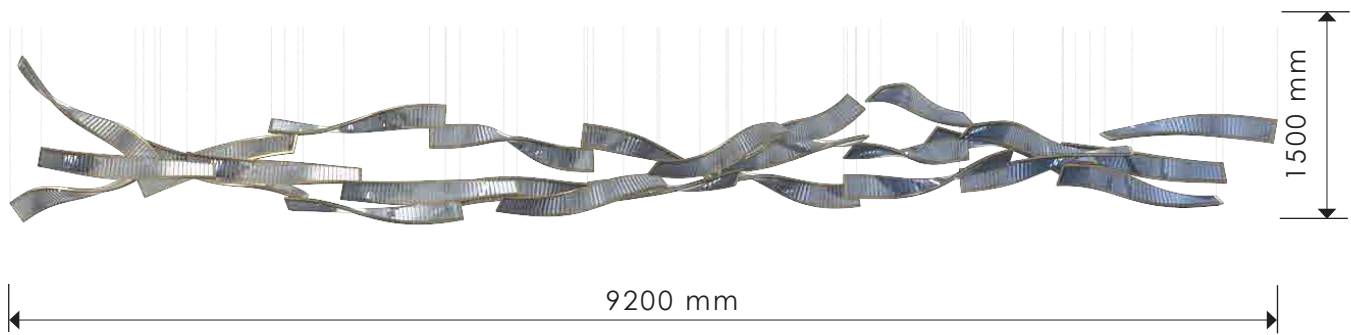
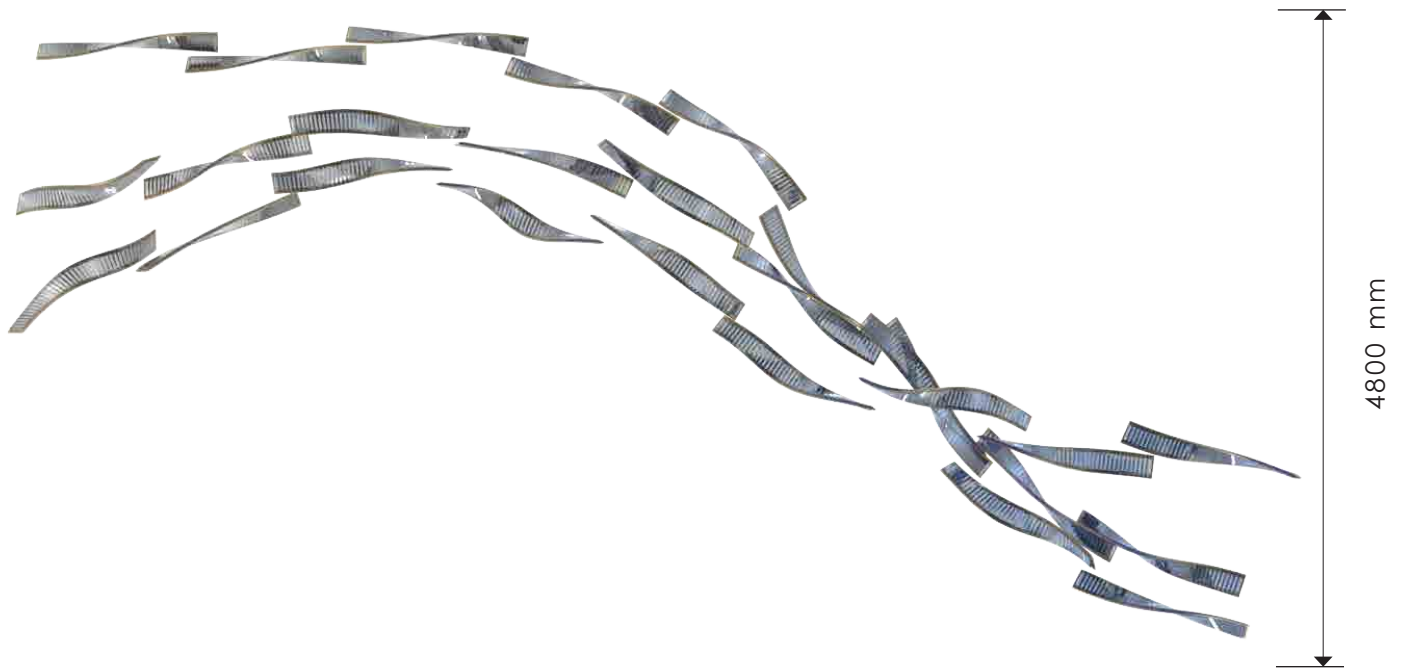


# G F F O R M A L D R A W I N G



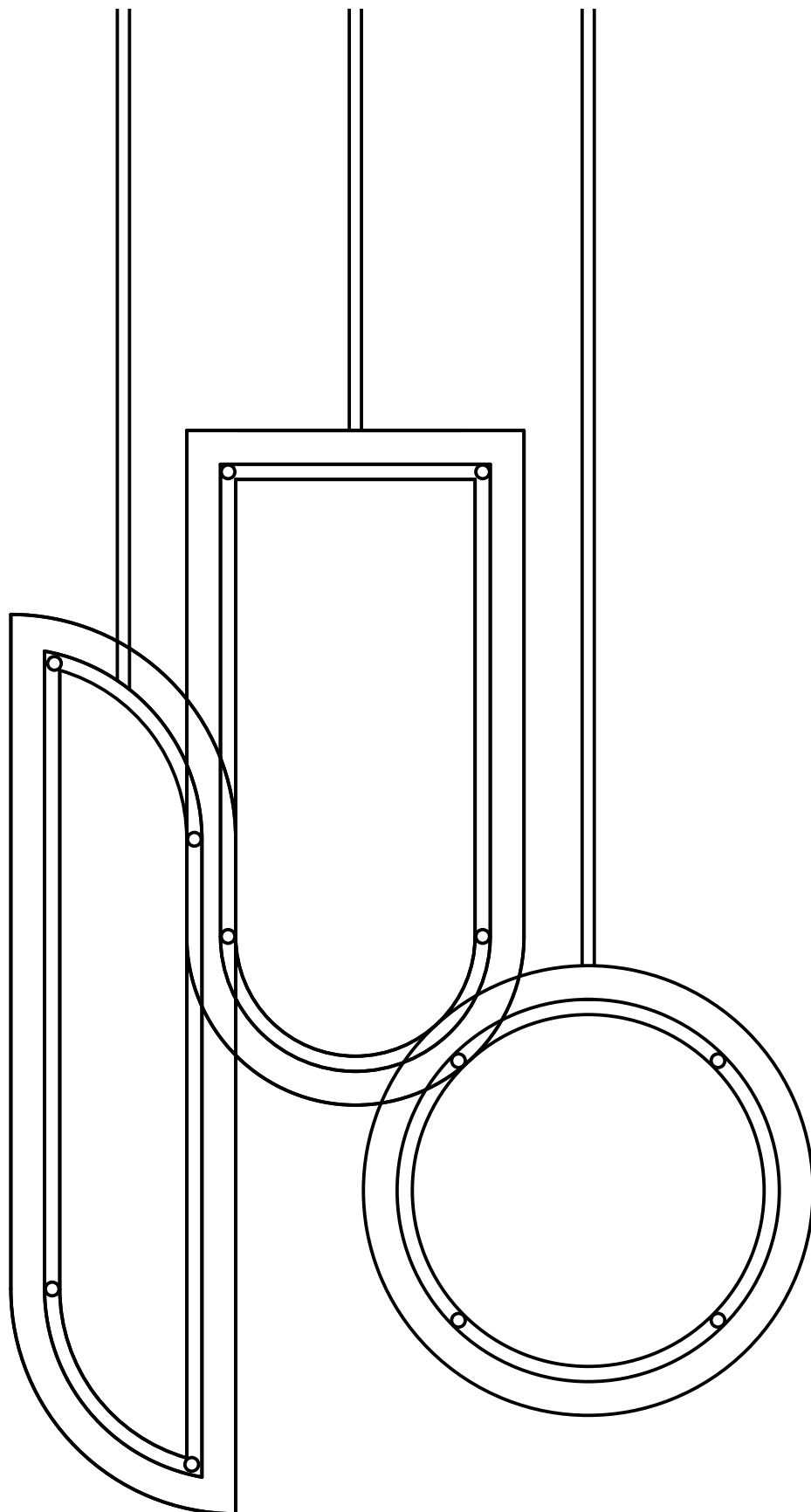






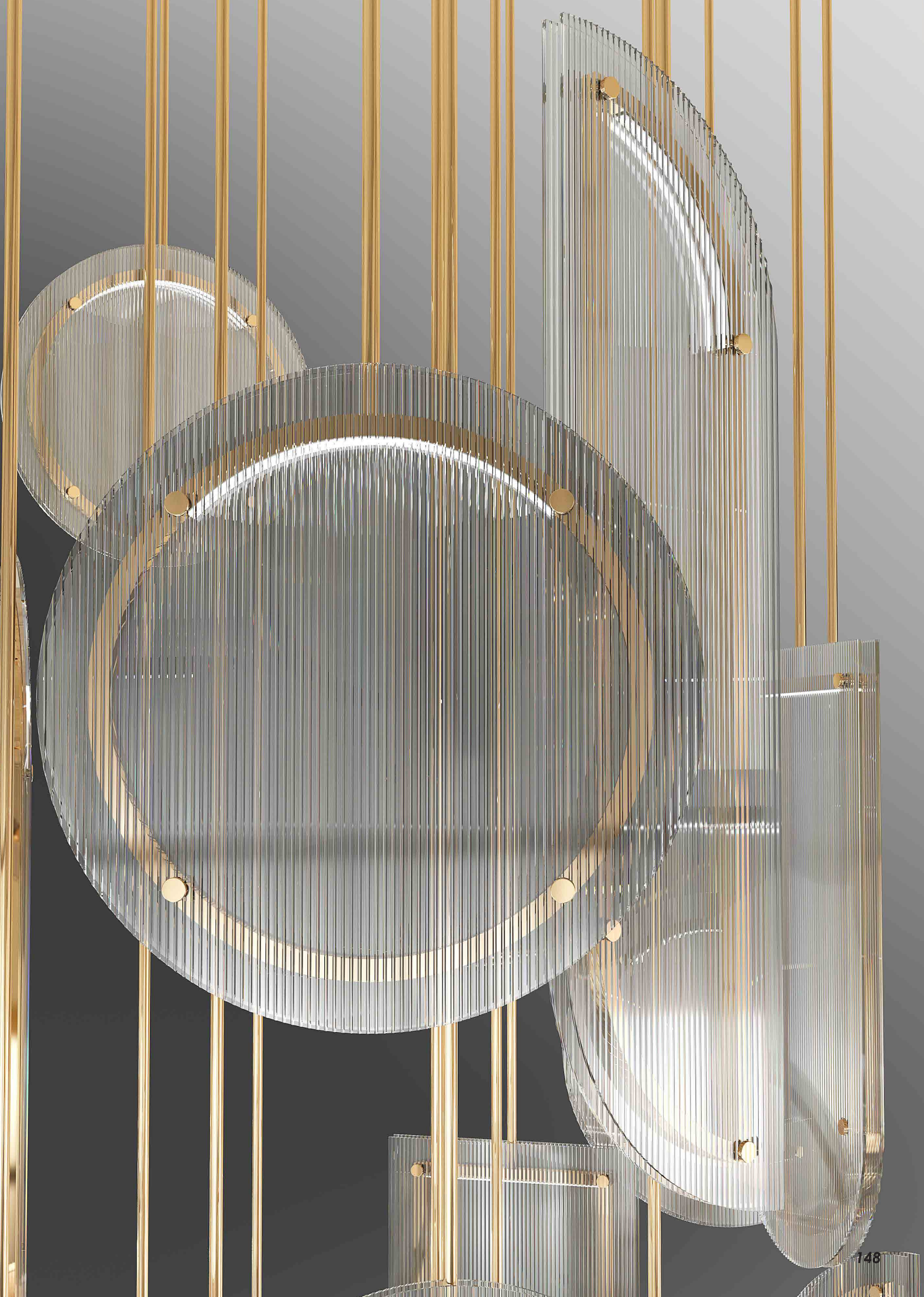
DIMENSIONS

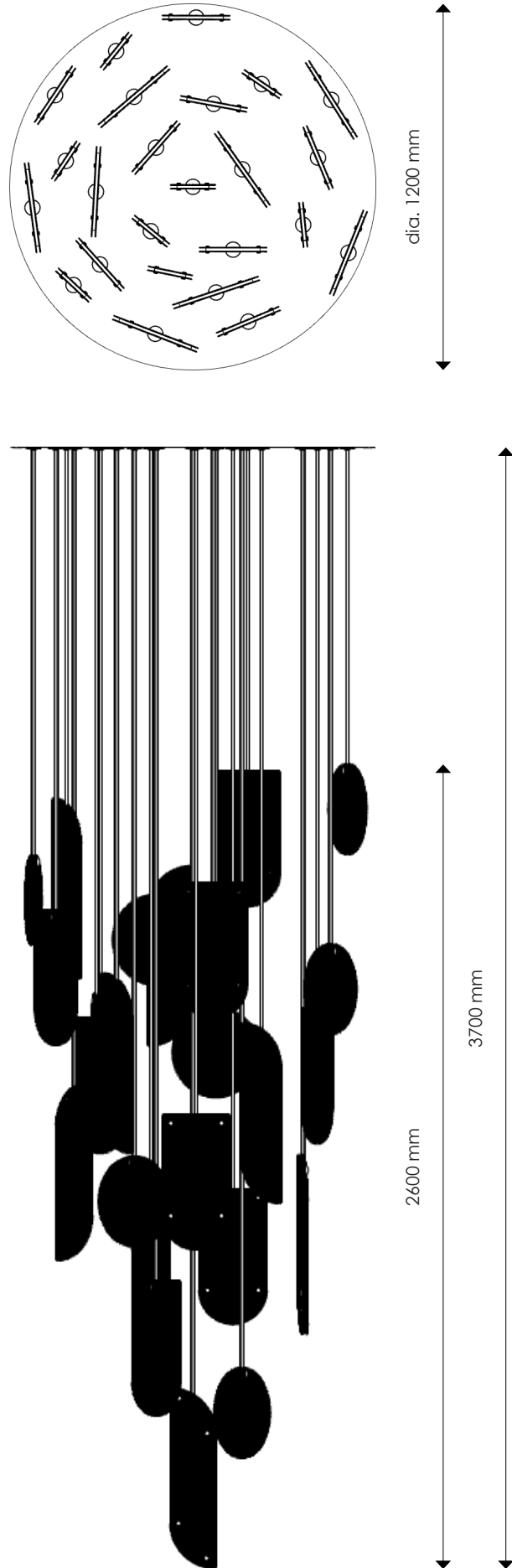
# GORSIA DESIGN SHOWROOM





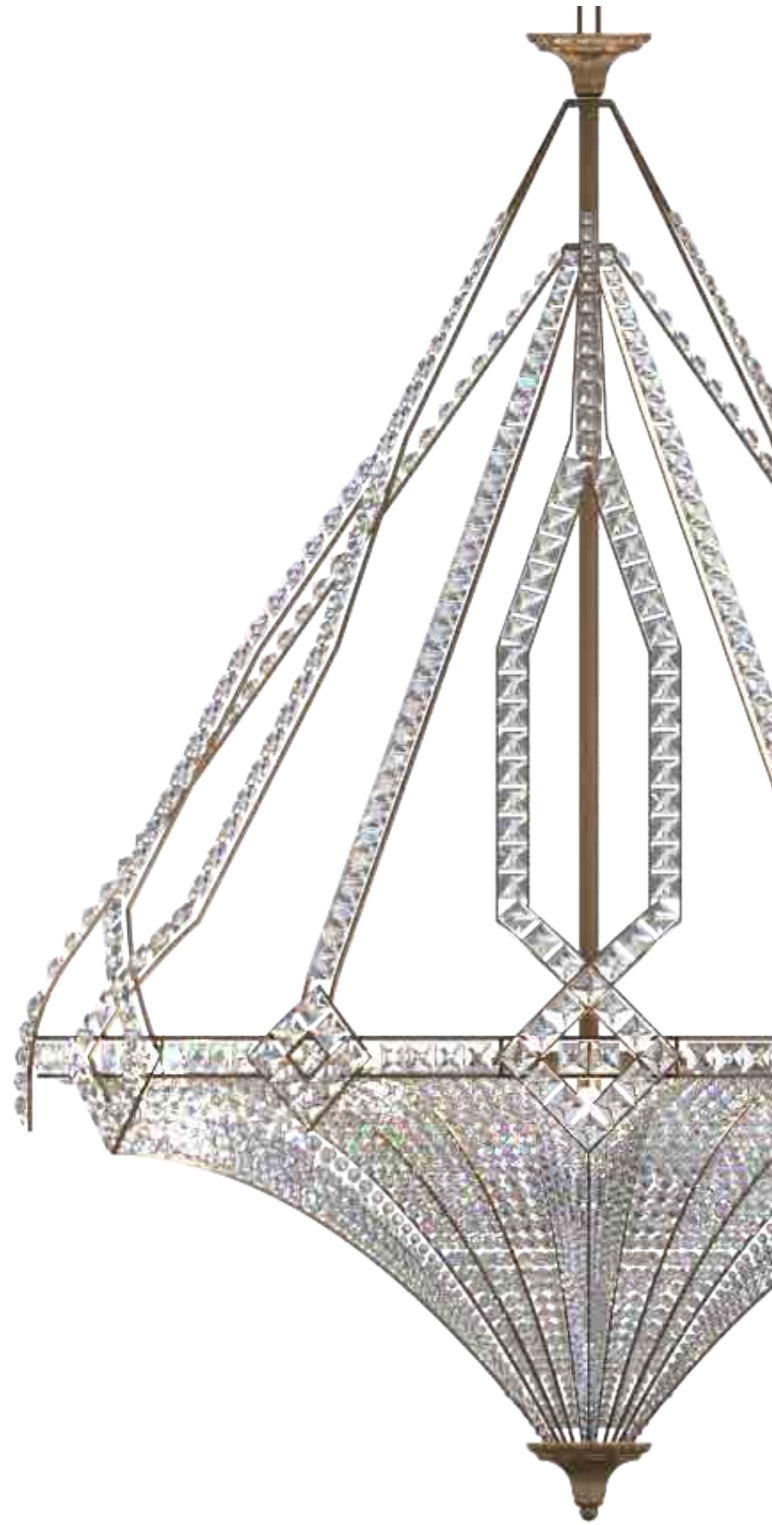






# PRIVATE PROPERTY

DINING ROOM CHANDELIER







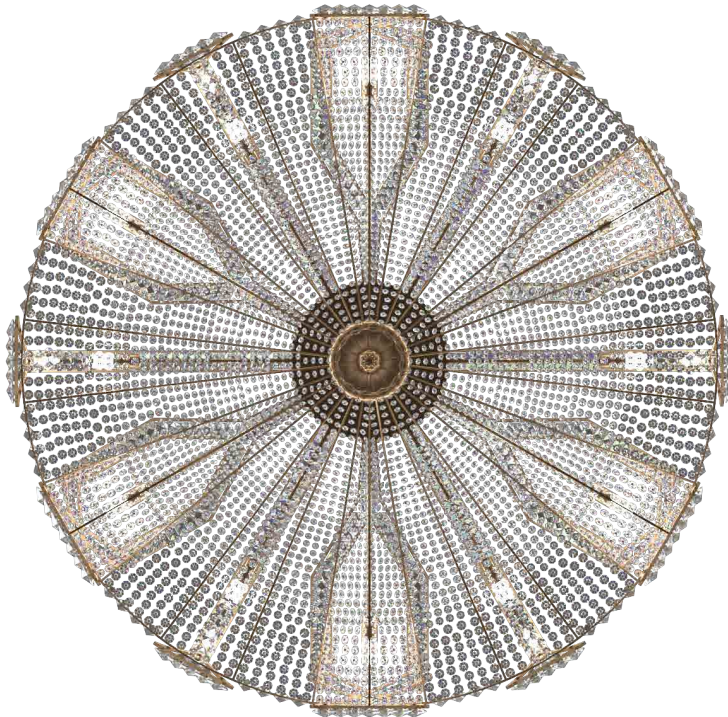








1350 mm  
1900 mm

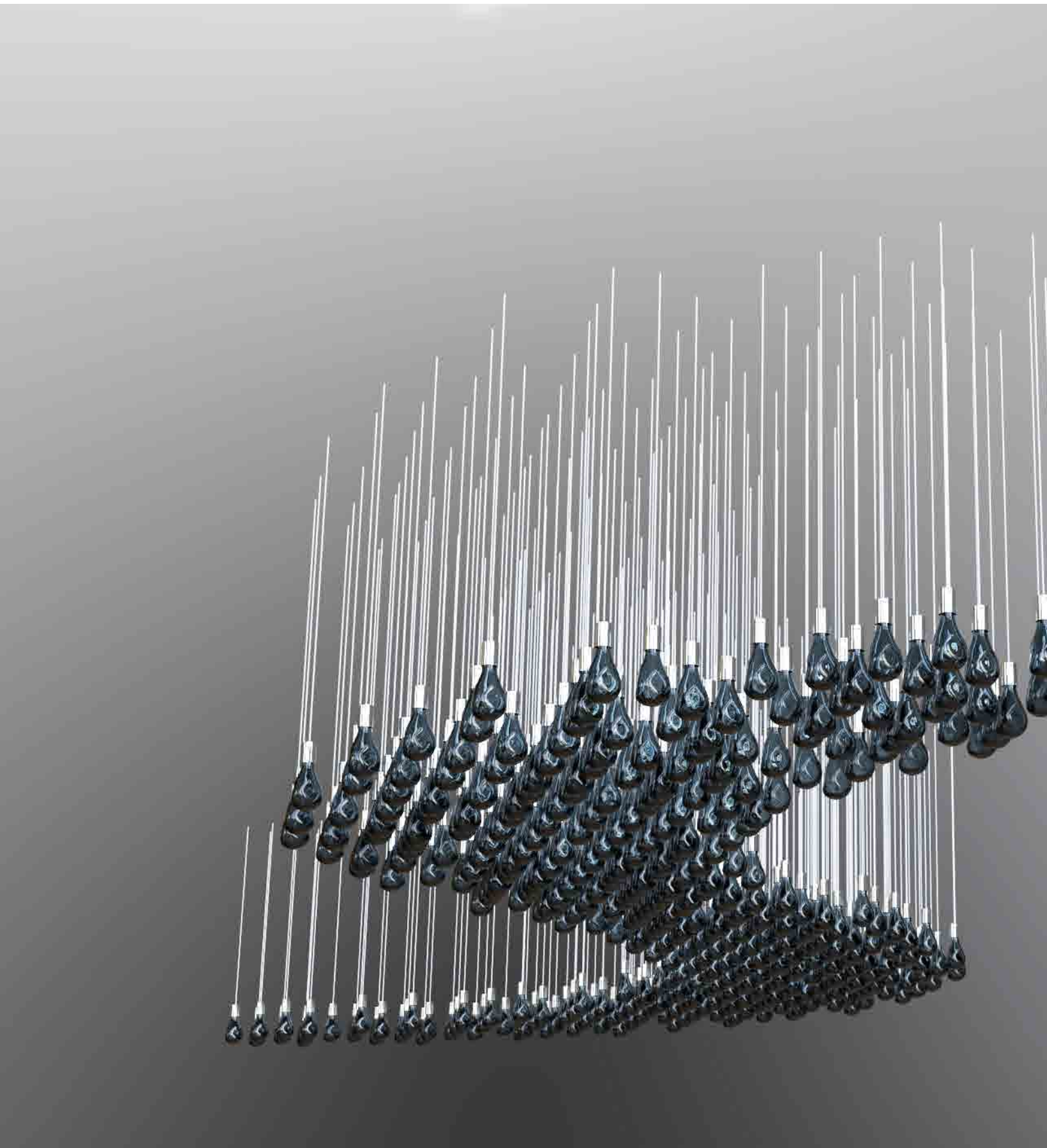


dia. 1100 mm

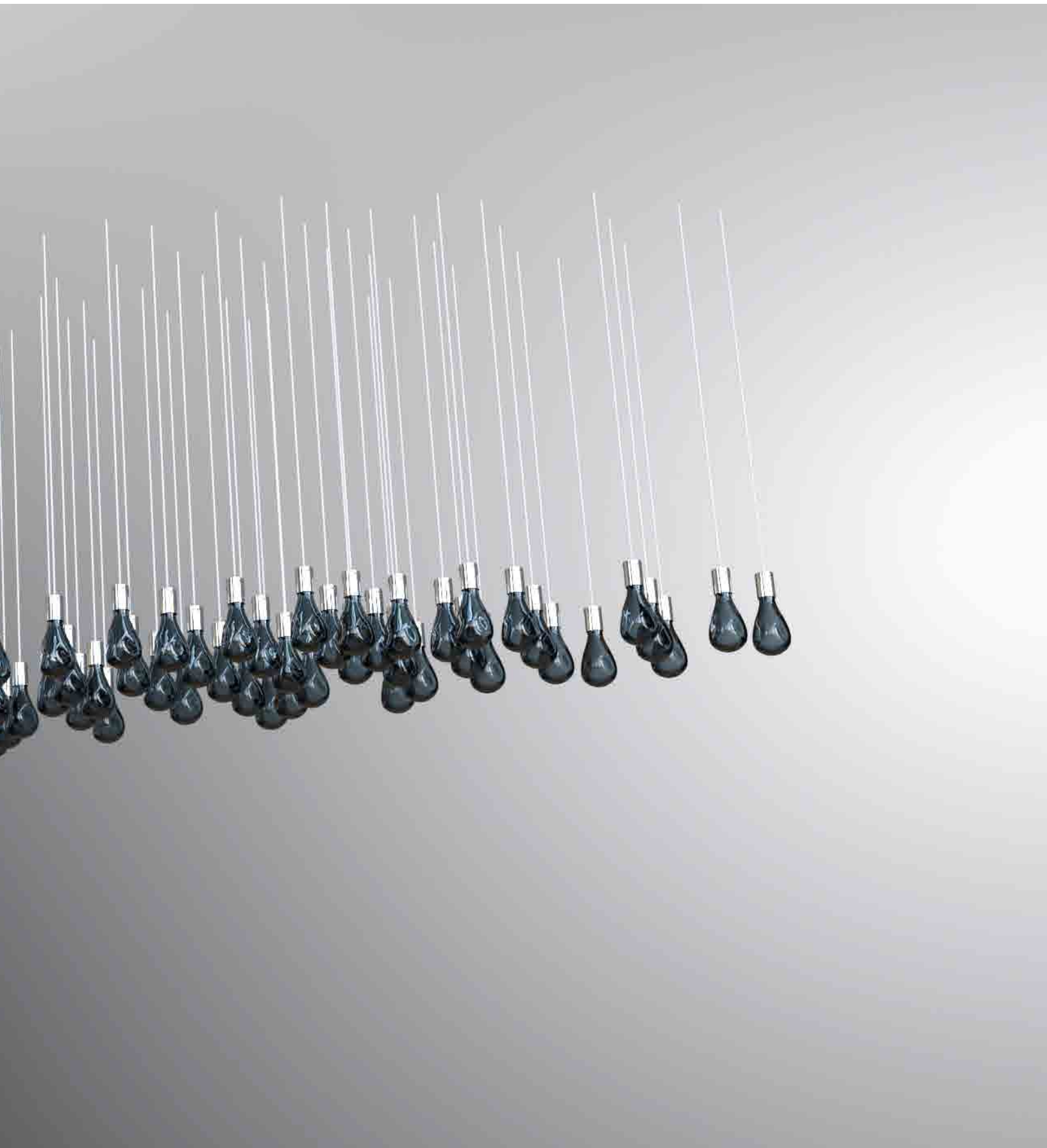
DIMENSIONS

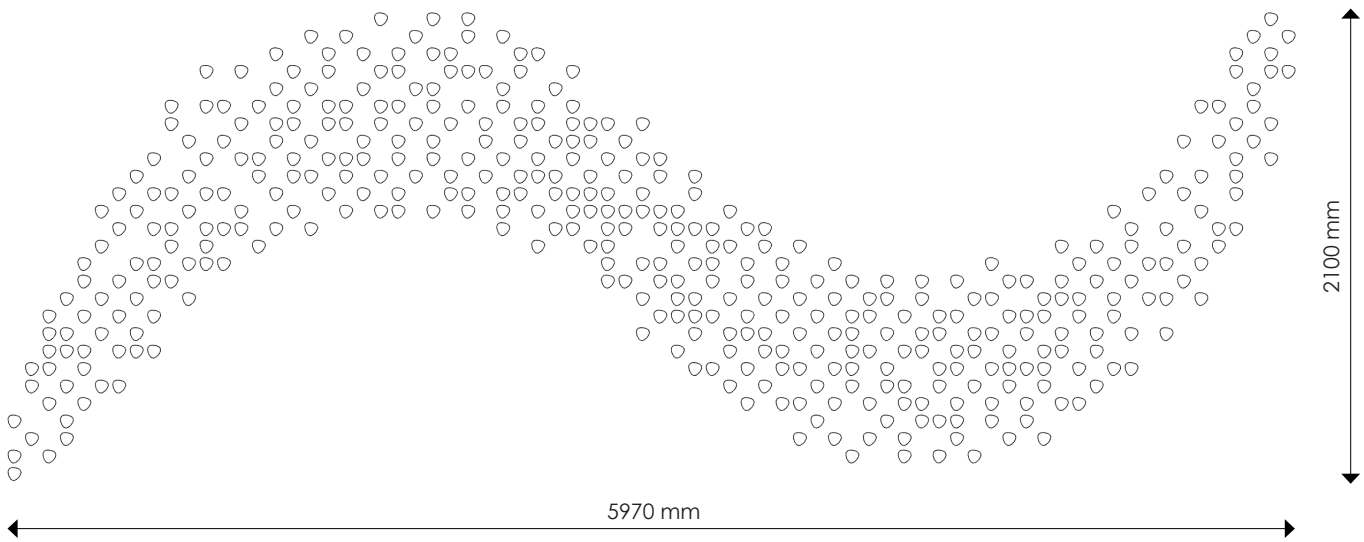
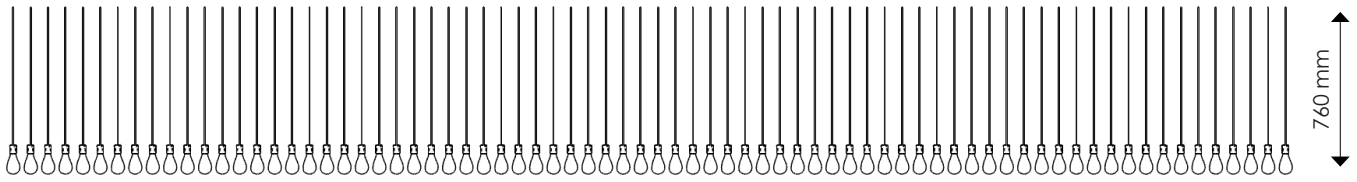
# BENEDICT





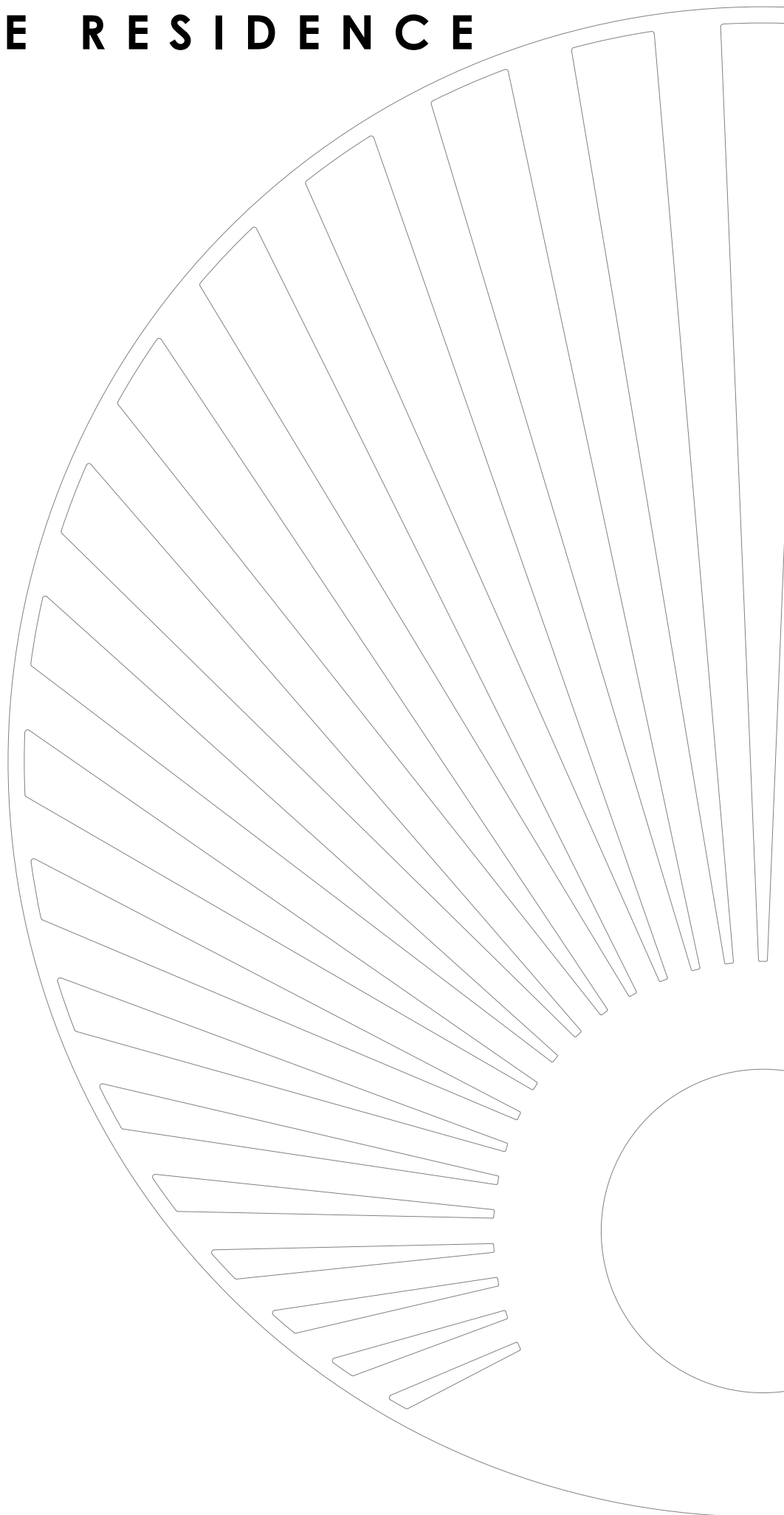


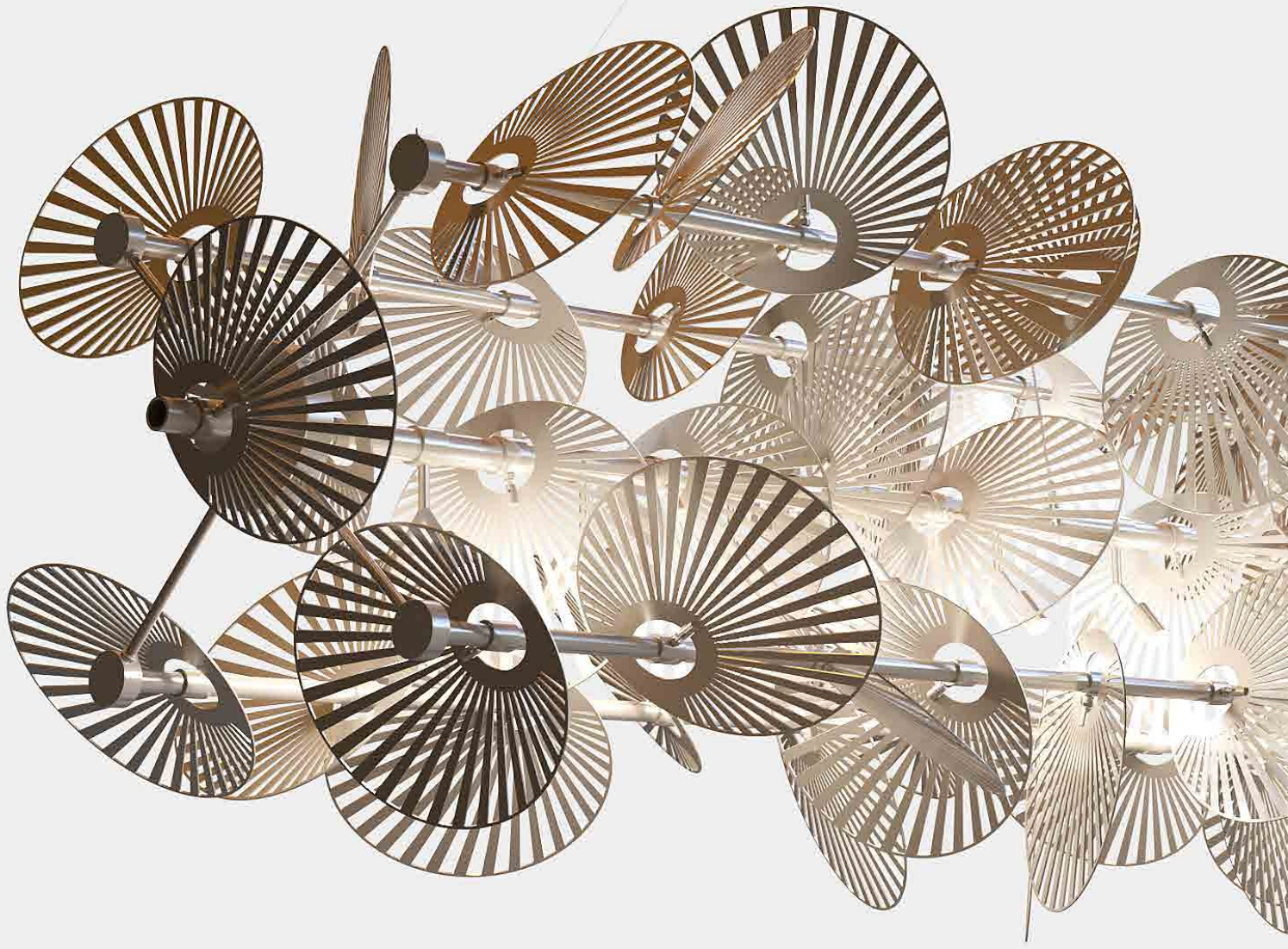




DIMENSIONS

# PRIVATE RESIDENCE



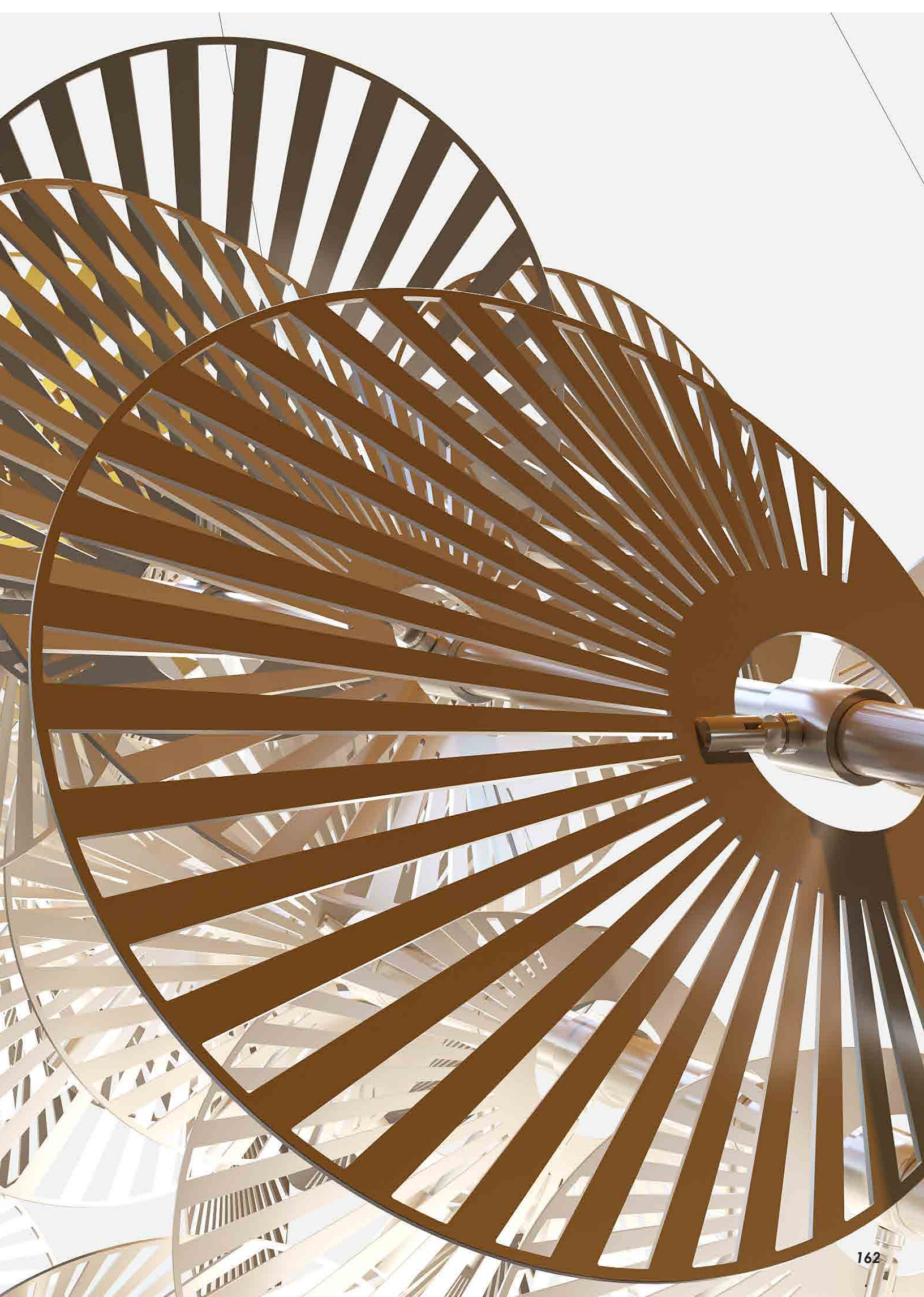


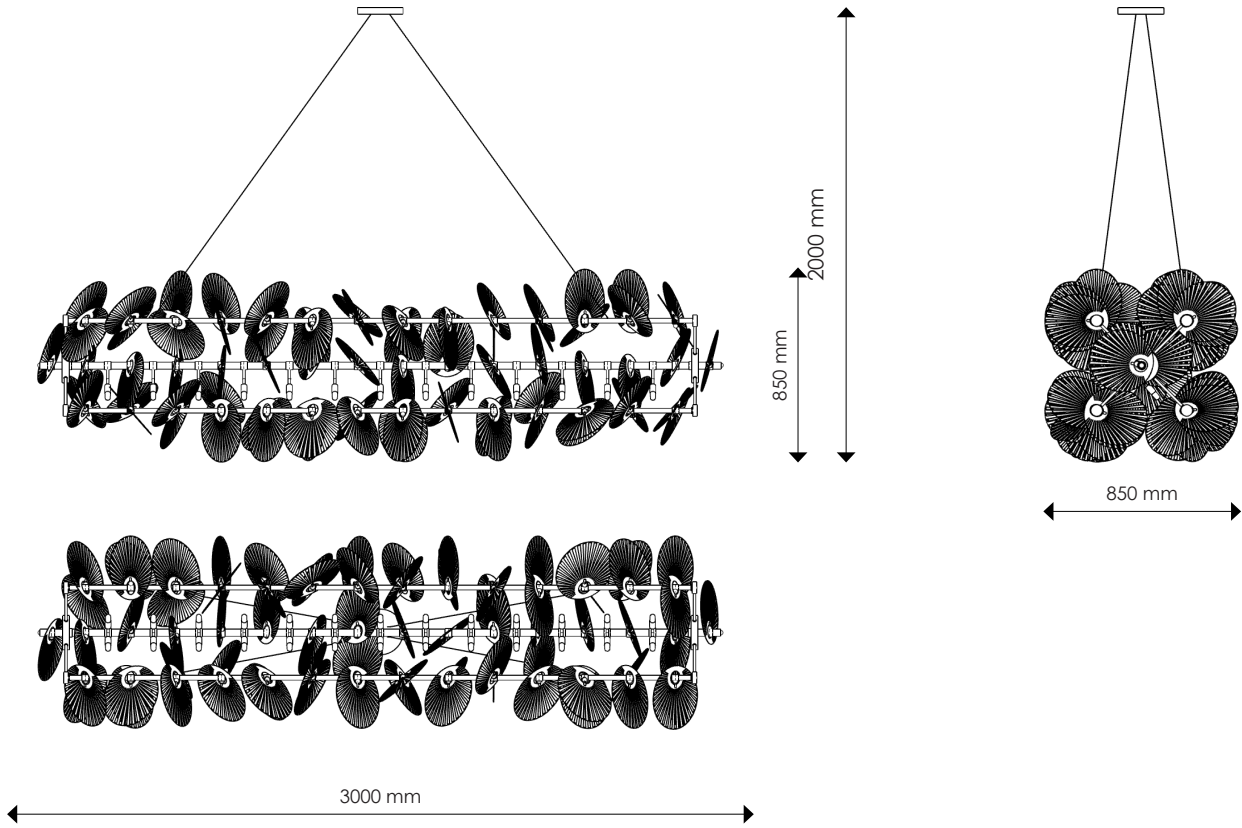












DIMENSIONS





